

DATA SHEET

PCA8515 Stand-alone OSD

Preliminary specification
File under Integrated Circuits, IC14

1995 Jan 19

Philips Semiconductors



PHILIPS

Stand-alone OSD**PCA8515**

CONTENTS	11	OSD CLOCK
1	12	OSD CLOCK SELECTION FOR DIFFERENT TV STANDARDS
2	12.1	OSD frequency
3	12.2	Maximum number of characters per row
4	12.3	Maximum number of rows per frame
5	13	OUTPUT PORTS
5.1	13.1	Mask options
5.2	14	DEFAULT VALUES AFTER POWER-ON-RESET
6	15	LIMITING VALUES
6.1	16	DC CHARACTERISTICS
6.2	17	AC CHARACTERISTICS
7	18	PACKAGE OUTLINES
7.1	19	SOLDERING
7.2	19.1	Introduction
8	19.2	DIP
8.1	19.3	SO
8.2	20	DEFINITIONS
8.3	21	LIFE SUPPORT APPLICATIONS
9	22	PURCHASE OF PHILIPS I ² C COMPONENTS
9.1		
9.2		
9.3		
9.4		
9.5		
9.6		
9.7		
9.8		
9.9		
9.10		
9.11		
9.12		
9.13		
9.14		
10		
10.1		
10.2		

Stand-alone OSD

PCA8515

1 FEATURES

- Display RAM: 256 × 13 bits
- Display character fonts: 253 (fixed in ROM, mask programmable)
- Starting position of the first character displayed: 64 vertical and 64 horizontal starting positions can be selected by software
- Character size: 4 different character sizes on a line-by-line basis (1 dot = 1H/1V; 2H/2V; 3H/3V and 4H/4V)
- Character matrix: 12 × 18 with no spacing between characters and no rounding function
- Foreground colours: 16 combinations of Red, Green, Blue and Intensity on character-by-character basis
- Background/shadowing modes: 4 modes available, No background, Box shadowing, North-West shadowing and Frame shadowing (raster blanking) on frame basis
- Background colours: 16 combinations of Red, Green, Blue and Intensity on word-by-word basis. Available when background mode is in either the Box shadowing, North-West shadowing or Frame shadowing mode
- OSD oscillator: on-chip Phase-Locked Loop (PLL)
- Character blinking ratio: 1 : 1, 1 : 3 and 3 : 1 (programmable frequency of $\frac{1}{16}$, $\frac{1}{32}$, $\frac{1}{64}$ or $\frac{1}{128}$ of f_{VSYNC}) on character basis
- Display format: flexible display format by using the Carriage Return Code, maximum number of characters per line is also flexible and depends on the OSD clock frequency

- Spacing between lines: 4 choices comprising 0, 4, 8 and 12 horizontal scan lines
- Display character RAM address-auto-post increment when writing data
- Fast I²C-bus serial interface (400 kbaud) or High-speed 3-wire serial interface (1 Mbaud) for data/command transfer
- ACM (Active Character Monitor) specifically for use in camrecorder applications on word basis; can also be used as a 5th colour control with R, G, B and I signals
- Programmable active input polarity of HSYNC and VSYNC
- Programmable output polarity of R, G, B, I and FB
- Supply voltage: 5 V ±10%
- Operating temperature: -20 to +70 °C
- Package: SDIP24 or SO24.

2 GENERAL DESCRIPTION

The PCA8515 is a member of the PCA85XX CMOS family and is an on-screen character display generator controlled by a microcontroller via the on-chip fast I²C-bus interface or the on-chip High-speed 3-wire serial interface. It is suitable for use in high-end TV or camrecorder applications and has also been designed for use in conventional mid-end TV with advanced graphic features.

3 ORDERING INFORMATION

TYPE NUMBER	PACKAGE		
	NAME	DESCRIPTION	VERSION
PCA8515P	SDIP24	plastic shrink dual in-line package; 24 leads (400 mil)	SOT234-1
PCA8515T	SO24	plastic small outline package; 24 leads; body width 7.5 mm	SOT137-1

Stand-alone OSD

PCA8515

4 BLOCK DIAGRAM

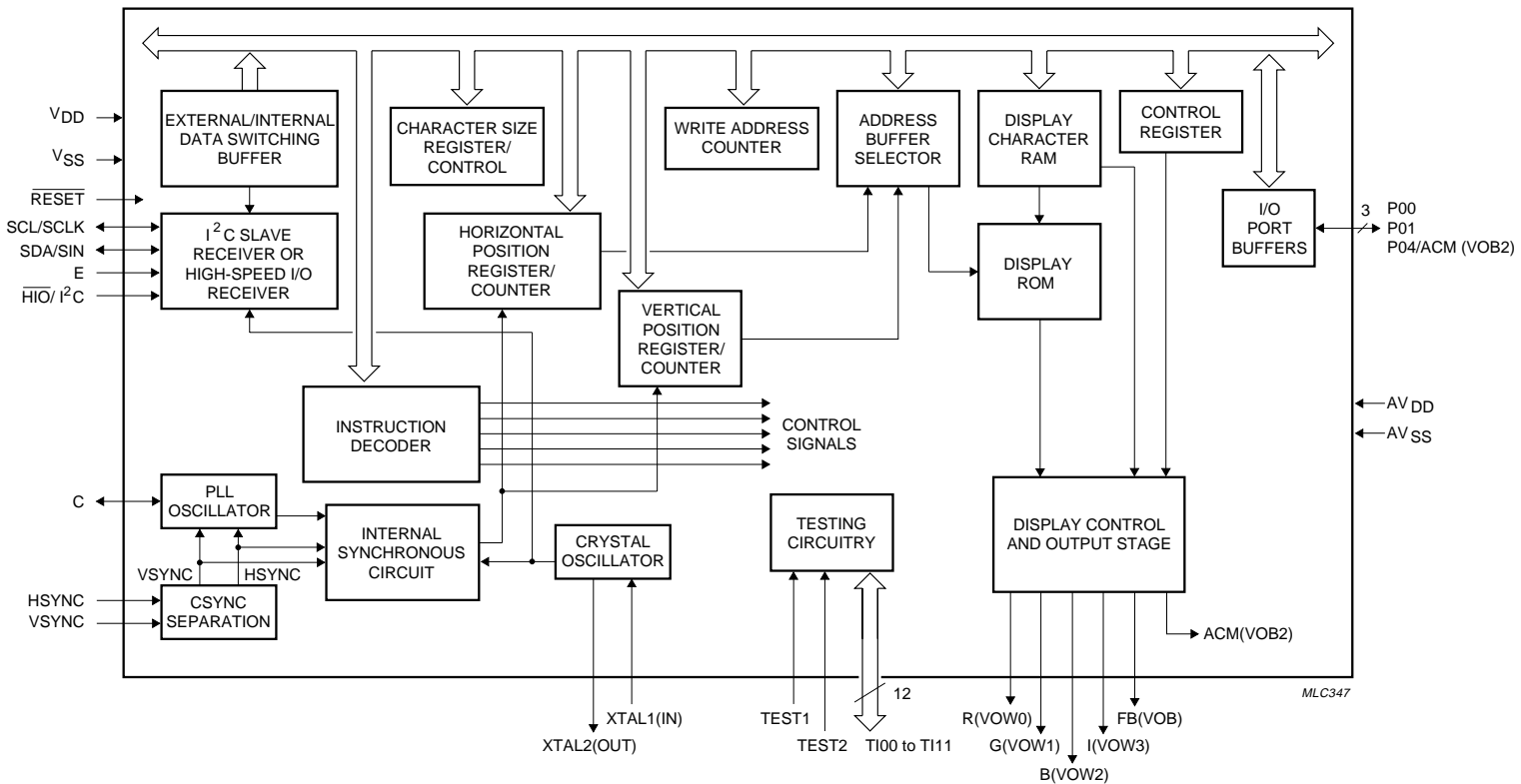


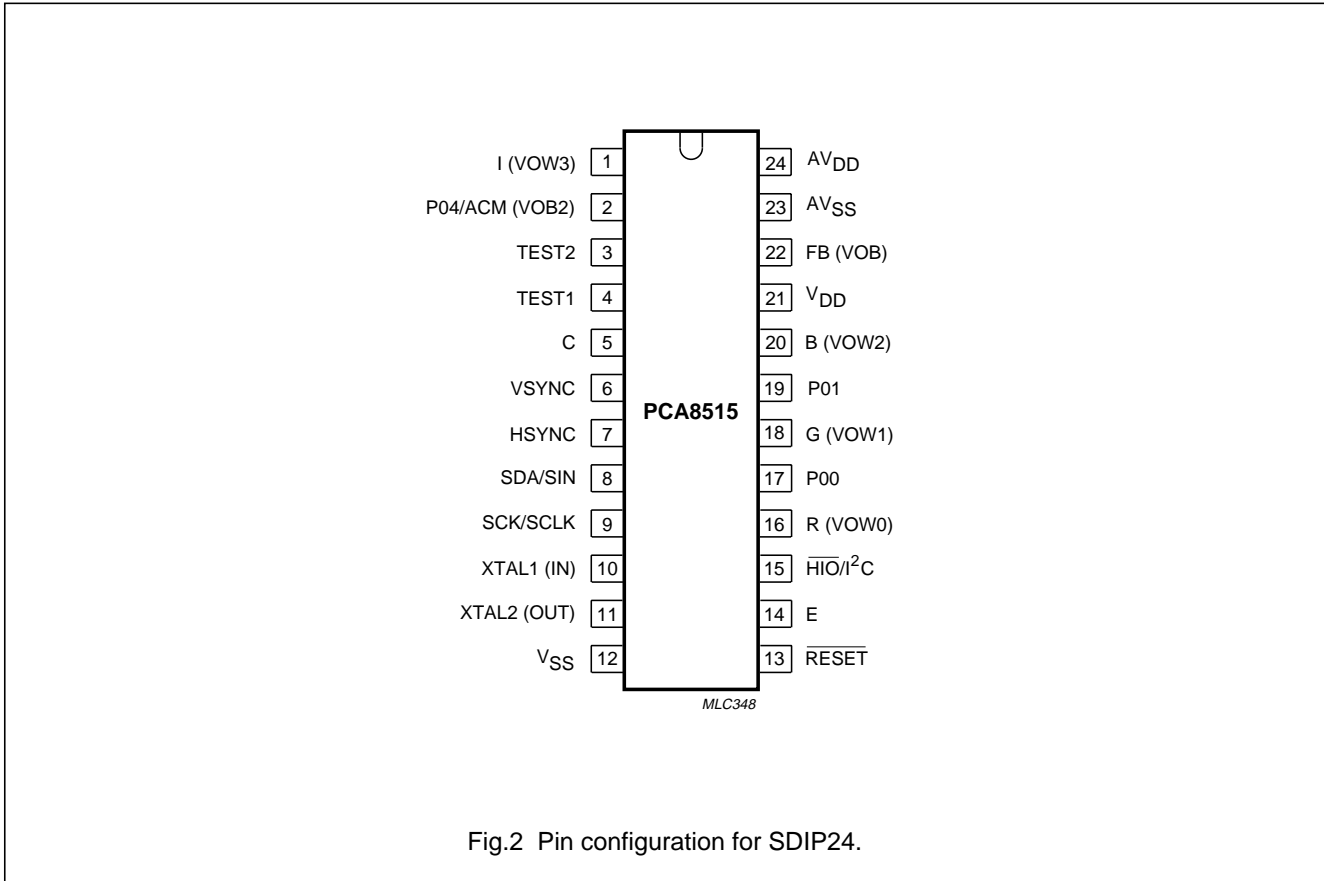
Fig.1 Block diagram.

Stand-alone OSD

PCA8515

5 PINNING INFORMATION

5.1 Pinning



Stand-alone OSD

PCA8515

5.2 Pin description

Table 1 SDIP24 and SO24 packages

SYMBOL	PIN	I/O	DESCRIPTION
I (VOW3)	1	O	Character output signal for intensity control.
P04/ACM (VOB2)	2	O	Port 04 output or Active Character Monitor output (VOB2).
TEST2	3	I	Test mode selection; for normal operation TEST2 is connected to V _{SS} .
TEST1	4	I	Test mode selection; for normal operation TEST1 is connected to V _{SS} .
C	5	I/O	Capacitor connection for on-chip OSD PLL oscillator.
VS _{YNC}	6	I	Vertical synchronization input, active polarity programmable.
HS _{YNC}	7	I	Horizontal synchronization input, active polarity programmable.
SDA/SIN	8	I/O	Data line of the I ² C-bus interface or the data line for the High-speed serial interface.
SCK/SCLK	9	I/O	Clock line of the I ² C-bus interface or the clock line for the High-speed serial interface.
XTAL1 (IN)	10	I	System clock input.
XTAL2 (OUT)	11	O	System clock output.
V _{SS}	12	I	Ground, digital.
RESET	13	I	Master Reset input (active LOW).
E	14	I	Chip enable (active HIGH) for the High-speed serial interface. When the I ² C-bus interface is selected this pin should be connected to V _{SS} .
HIO/I ² C	15	I	Serial interface selection. When this pin is LOW the High-speed serial interface is selected; when this pin is HIGH the I ² C-bus interface is selected.
R (VOW0)	16	O	Character output signal: VOW0 for Red.
P00	17	I/O	General purpose I/O Port 00.
G (VOW1)	18	O	Character output signal: VOW1 for Green.
P01	19	I/O	General purpose I/O Port 01.
B (VOW2)	20	O	Character output signal: VOW2 for Blue.
V _{DD}	21	I	Power supply, digital.
FB (VOB)	22	O	Fast Blanking output (VOB).
AV _{SS}	23	I	Ground, analog.
AV _{DD}	24	I	Power supply, analog.

Stand-alone OSD

PCA8515

6 SERIAL I/O

The PCA8515 has two means by which it can communicate with a microcontroller: a fast I²C-bus serial interface and a High-speed serial interface. Selection of either interface is achieved via pin 15, $\overline{\text{HIO}}/\text{I}^2\text{C}$. When $\overline{\text{HIO}}/\text{I}^2\text{C}$ is LOW, the HIO serial interface is selected. When $\overline{\text{HIO}}/\text{I}^2\text{C}$ is HIGH, the I²C-bus serial interface is selected.

The PCA8515 is programmed by a series of commands sent via one of these interfaces. There are 16 commands; each command selecting different functions of the PCA8515. The 16 commands are described in detail in Chapter 9.

6.1 I²C-bus serial interface

The I²C-bus serial interface is selected by driving pin 15 ($\overline{\text{HIO}}/\text{I}^2\text{C}$) HIGH. Data transmission conforms to the fast I²C-bus protocol; the maximum transmission rate being 400 kHz. The PCA8515 operates in the slave receiver mode and therefore in normal operation is 'write only' from the master device.

The format of the data streams sent via the I²C-bus interface is shown in Fig.3. The first data byte is the slave address 1011 101X_b. The last bit of the slave address is always a logic 0, except in the Test mode when it could be a logic 1. Subsequent data bytes contain the commands for control of the device. Upon the successful reception of a complete data byte by the shift register, an Acknowledge bit is sent. A STOP condition terminates the data transfer operation.

The I²C-bus interface is reset to its initial state (waiting for a slave address call) by the following conditions:

- After a master reset
- After a bus error has been detected on the I²C-bus interface.

Under both these conditions the data held in the shift register is abandoned.

6.1.1 MAXIMUM SPEED OF THE I²C-BUS

The maximum I²C-bus transmission rate that the PCA8515 can receive is 400 kHz. However, if the data byte being transmitted is for display RAM then internal synchronization of the write operation from the shift register to the display RAM location is necessary. This will reduce the maximum transmission speed.

The synchronization process is carried out by on-chip hardware and takes place during the HSYNC retrace period when VSYNC is inactive. The I²C-bus clock is pulled LOW if a complete display RAM data byte is received before HSYNC becomes active. The I²C-bus clock will be released when HSYNC becomes active and then the contents of the shift register will be written into the display RAM location.

6.2 High-speed serial interface (HIO)

The High-speed serial interface is selected when pin 15 ($\overline{\text{HIO}}/\text{I}^2\text{C}$) is pulled LOW. The High-speed serial interface has a 3-wire communication protocol; the maximum transmission rate being 1 MHz. The interface protocol is illustrated in Fig.4 and described below:

1. Pin 14 (E) the chip enable pin is driven HIGH. This LOW-to-HIGH transition clears the shift register and resets the serial input circuit.
2. On the first HIGH-to-LOW transition of SCLK after the interface has been enabled, the first data bit (D0) must be present at the SIN pin.
3. On the following LOW-to-HIGH transition of SCLK, the first data bit (D0) will be latched into the shift register.
4. On the next HIGH-to-LOW transition of SCLK the second data bit (D1) must be present at the SIN pin. Data bit (D1) will be latched into the shift register on the following LOW-to-HIGH transition of SCLK.
5. The operation specified in step 4 above is repeated another 6 times, thus loading the shift register with a complete data byte. This data byte is then transferred to the command interpreter which takes the appropriate action.
6. Providing the chip enable signal remains HIGH, a 2nd data byte can be transferred. The 1st data bit of the next data transfer takes place on the falling edge of the SCLK signal.

The following points should be noted:

- If the chip enable signal is pulled LOW at any time the shift operation in progress is stopped and the HIO slave receiver is disabled
- The rising edge of the chip enable signal resets the HIO slave receiver.

Stand-alone OSD

PCA8515

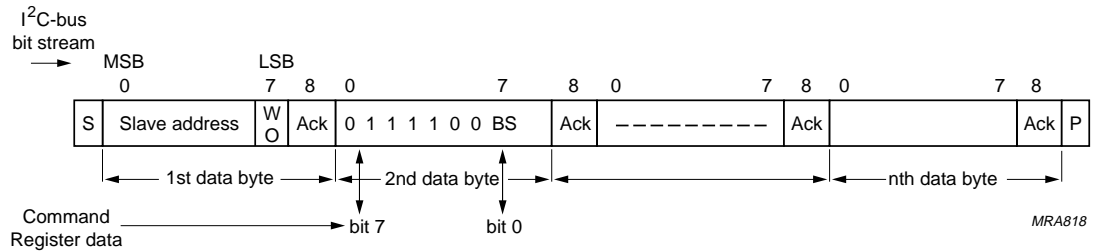
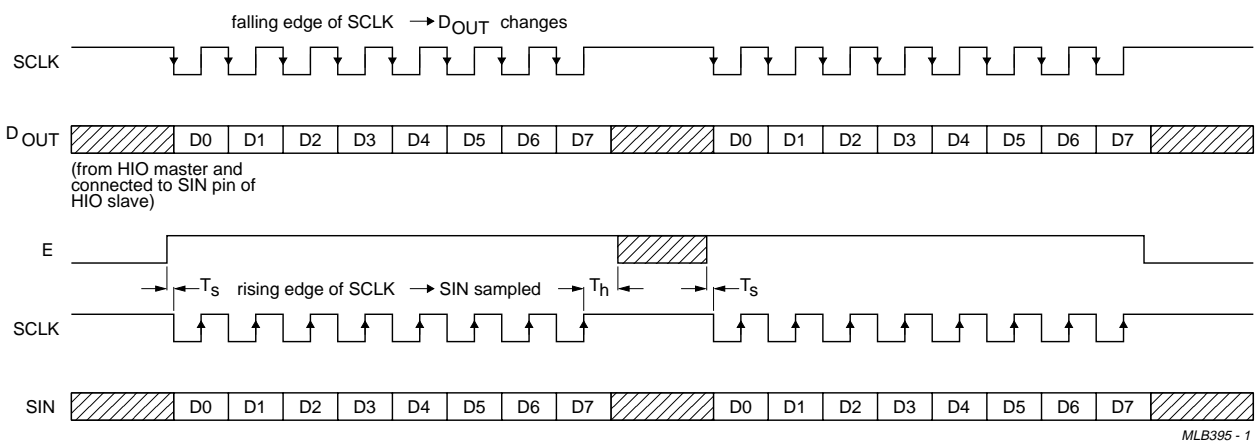


Fig.3 I²C-bus write timing diagram - data stream.



(1) $T_s \geq 1 \mu s$; $T_h \geq 1 \mu s$.

Fig.4 High-speed I/O format.

Stand-alone OSD

PCA8515

7 CHARACTER FONTS

256 character fonts may be held in ROM; 253 customer selected fonts and three reserved character font codes. Customer selected fonts are mask programmable. Each character font is stored in a 12 × 19 dot matrix, as shown in Fig.5. Elements in Rows 1 to 18 can be selected as visible dots on the screen; Row 0 is used only for the combination of two characters in a vertical direction, when North-West shadowing mode is selected (see Sections 9.9 and 10.2). Extremely high resolution can be achieved by having no spacing between characters on the same line and by programming the inter-line spacing to zero. The 12 × 18 dot matrix is suitable for the display of semigraphic patterns, Kanji, Hiragana, Katagana or even Chinese characters.

7.1 Character font address map

Figure 6 shows the character font address map in ROM and RAM. Addresses FFH and FEH hold the reserved codes for space and carriage return functions respectively; address FDH is reserved for testing purposes and addresses (00H to FCH) contain the character font codes.

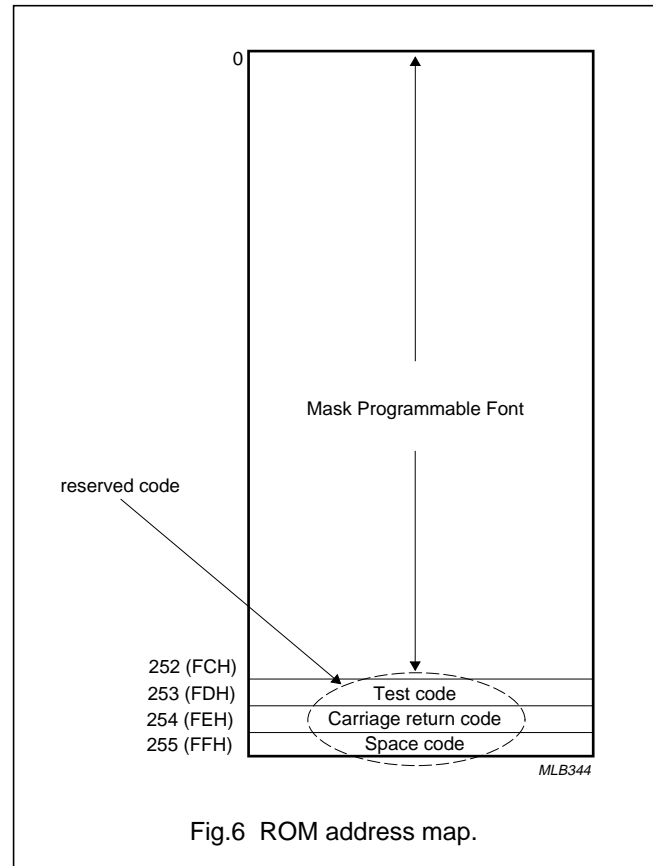
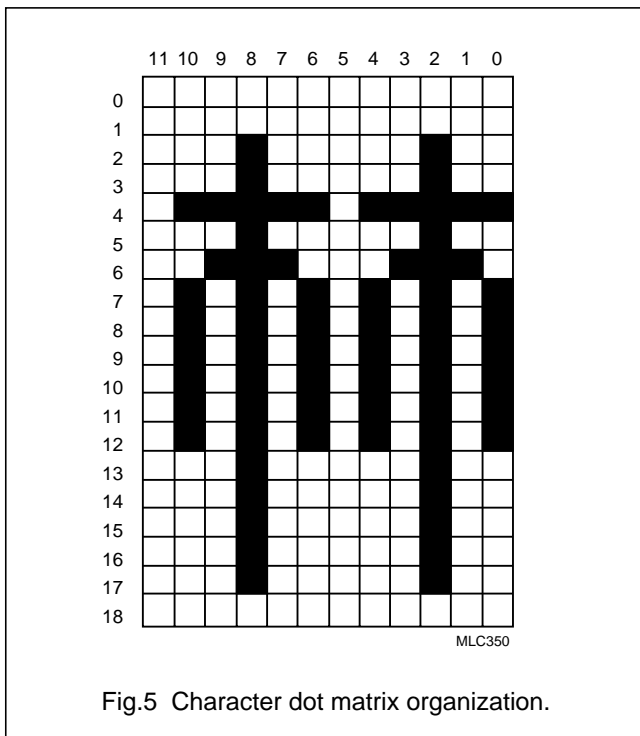
7.2 Character font ROM

ROM is divided into two parts; ROM1 and ROM2. The organization of the bit patterns stored in ROM1 and ROM2 is shown in Fig.7.

The file format to submit to Philips for customized character sets is also shown in Fig.7. The following points should be noted.

1. Row 0 of each font is reserved for vertical combination of two fonts.
2. When two font cells are combined in a vertical direction Row 0 of the lower font must contain the same bit pattern as held in Row 18 of the character above it.
3. Binary 1 denotes visual dots; binary 0 denotes a blank space.
4. ROM1 and ROM2 data files are in INTEL hex format on a byte basis. Each byte is structured High nibble followed by Low nibble.
5. The remaining unused 16 bytes (one character font) in ROM1/ROM2 must be filled with FFH.
6. CS denotes Checksum.

A software package (OSDGEM) that assists in the design of character fonts on-screen and that also automatically generates the bit pattern HEX files, is available on request. The package is run under the MS-DOS environment for IBM compatible PCs.



Stand-alone OSD

PCA8515

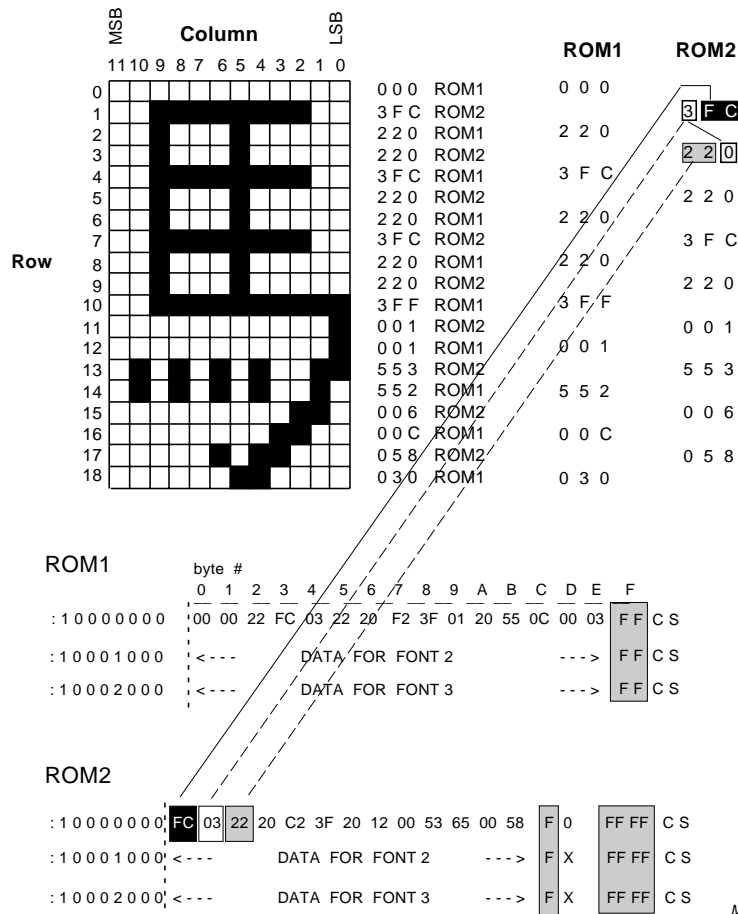


Fig.7 Character font pattern stored in ROM1 and ROM2.

Stand-alone OSD

PCA8515

8 DISPLAY RAM ORGANIZATION

The display RAM is organized as 256×13 bits. The general format of each RAM location is as follows. Bits <12-5> hold character data and allow a choice from 253 customer designed character fonts to be selected or one of three reserved codes. Bits <4-0> contain the attributes of the character font, for example colour, character size etc.

8.1 Description of display RAM codes

There are four data formats for display RAM code:

1. Character Font Code
2. Test Code
3. Carriage Return Code
4. Space Code.

The above data formats allow great flexibility in the creation of On Screen Displays; see Fig.8.

8.1.1 CHARACTER FONT CODE

If bits <12-5> are in the range (00H to FCH), then this is a Character Font Code. 1 of 253 customer designed character fonts can be selected. Bits <4-1> determine the colour of the character, a choice of 16 colours being available. Bit <0> determines whether the character blinks or not. The format of the Character Font Code is shown in Table 2.

8.1.2 TEST CODE

If bits <12-5> hold FDH, then this is a special code reserved for testing purposes only.

Table 2 Format of Character Font Code

12	11	10	9	8	7	6	5	4	3	2	1	0
C7	C6	C5	C4	C3	C2	C1	C0	T4	T3	T2	T1	T0
Character Font Code (00H - FCH)								Foreground colour			Blink	

Table 3 Format of Carriage Return Code

12	11	10	9	8	7	6	5	4	3	2	1	0
C7	C6	C5	C4	C3	C2	C1	C0	T4	T3	T2	T1	T1
Carriage Return Code (FEH)								Character size		Line Spacing	End	

Table 4 Format of Space Code

12	11	10	9	8	7	6	5	4	3	2	1	0
C7	C6	C5	C4	C3	C2	C1	C0	T4	T3	T2	T1	T0
Space Code (FFH)								Background colour			ACM	

8.1.3 CARRIAGE RETURN CODE

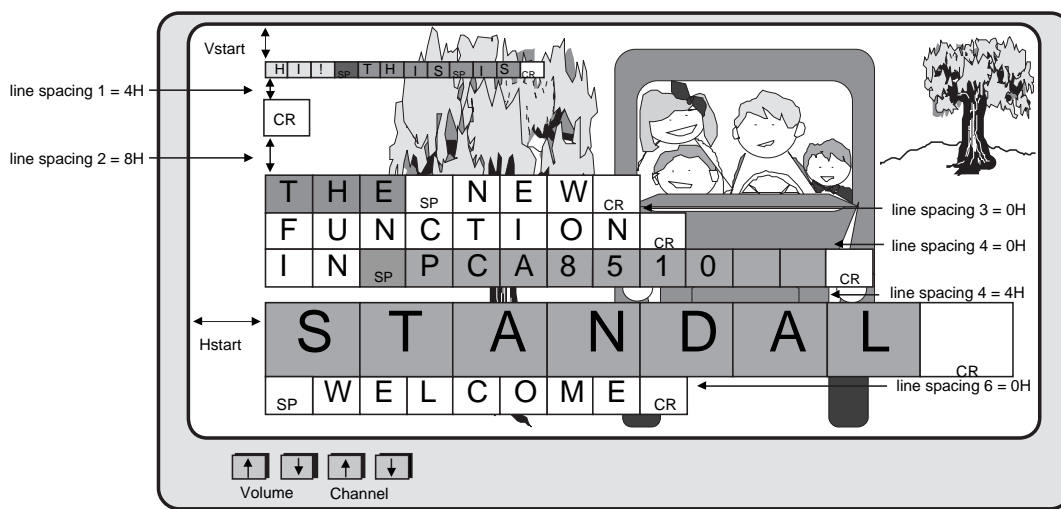
If bits <12-5> hold FEH, then this is the Carriage Return Code. A transparent pattern will be displayed on the screen and the next character will be displayed at the beginning of the next line. Bits <4-3> select the size of the of the characters to be displayed on the next line. Bits <2-1> determine the spacing between lines of displayed characters. Bit <0> is the End-of Display bit and indicates the end of display of the current screen before exhaustion of display RAM (i.e. before the 256th RAM location). The format of the Carriage Return Code is shown in Table 3.

8.1.4 SPACE CODE

If bits <12-5> hold FFH, then this is the Space Code. A transparent pattern, equal to one character width, will be displayed on the screen. A mask programmable option is available that allows the space character to be transparent or to have a programmable background colour; see Section 13.1. Bits <4-1> determine the background colour of the characters that follow the Space Code in both the Box shadowing and North West shadowing modes. Bit <0> is the Active Character Monitor (ACM) enable/disable bit. The ACM signal is specifically for use in camrecorder applications where part of the display is to be recorded on tape and displayed on the screen, whilst the remaining part is for display only. Figure 9 shows a typical ACM application. During the back-tracing period R, G, B, I, FB and ACM are inactive. The format of the Space Code is shown in Table 4.

Stand-alone OSD

PCA8515



MRA832

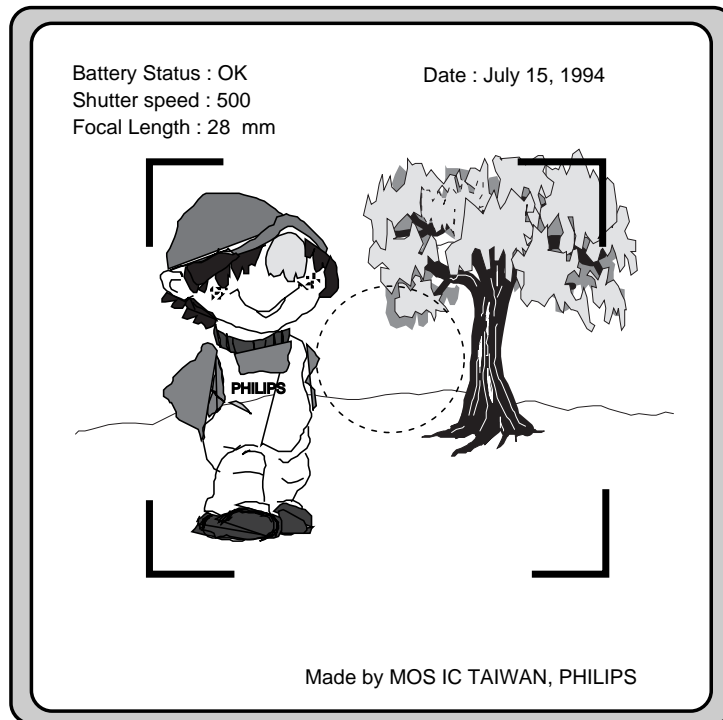
Four different background colours (in box shadowing mode):

- BLACK
- RED
- GREEN
- BLUE

Fig.8 Example of On Screen Display.

Stand-alone OSD

PCA8515



MRA831

In this example, all the characters are displayed on the viewfinder.
As only the data 'Date : July 15, 1994' is to be recorded onto the tape,
only these characters' ACM attribute bit is set to a logic 1.

Fig.9 Example of ACM signal for use in camrecorder applications.

Stand-alone OSD

PCA8515

8.2 Loading character data into display RAM

Three registers are used to address and load data into the display RAM. These registers are described below.

8.2.1 DCR ADDRESS REGISTER (DCRAR)

Table 5 DCR Address Register

7	6	5	4	3	2	1	0
A7	A6	A5	A4	A3	A2	A1	A0

This register holds the address of the location in display RAM into which data is to be written. Command 3 loads the High nibble of the address into this register; Command 4 loads the Low nibble of the address.

8.2.2 DCR ATTRIBUTE REGISTER (DCRTR)

Table 6 DCR Attribute Register

7	6	5	4	3	2	1	0
–	–	–	T4	T3	T2	T1	T0

The Attribute Register is loaded with character font attribute data using Command 2. The data will be loaded into bits <4-0> of the location in RAM addressed by the contents of DCRAR. Bits 7 to 5 are not used and are reserved.

8.2.3 DCR CHARACTER REGISTER (DCRCR)

Table 7 DCR Character Register

7	6	5	4	3	2	1	0
C7	C6	C5	C4	C3	C2	C1	C0

This register holds the character font data loaded by Command 1. The data will be loaded into bits <12-5> of the location in RAM addressed by the contents of DCRAR.

8.3 Writing character data to display RAM

The procedure for writing character data to the display RAM is as follows:

1. Select the start address in display RAM. The start address can take any value between 0 and 255. Command 3 is used to load the High nibble of the start address. Command 4 is used to load the Low nibble of the start address. The start address is stored in DCRAR.
2. Load the character attributes into DCRTR using Command 2. The actual attribute selected is dependent upon whether the Character Font Code, Carriage Return Code or Space Code has been selected by Command 1 (see Section 8.1).
If the attributes of a series of displayed characters are the same, the contents of this register need not be updated.
3. Load the Character Font data into DCTCR using Command 1 or Command 5. Either of these commands signal that a complete command byte is available and the data held in registers DCRTR and DCRCR is loaded into the RAM location pointed to by the address stored in DCRAR. The address held in DCRAR is then incremented by '1' pointing to the next RAM location in anticipation of the next operation.

A description of all the Commands is given in Chapter 9.

Stand-alone OSD

PCA8515

9 COMMANDS

The PCA8515 is programmed by a series of commands sent by a microcontroller via the I²C-bus interface or the High-speed serial interface. 16 commands (Commands 0 to F) are available for selecting the various functions of the PCA8515. A command overview is shown in Table 8; full descriptions of each command are given in Sections 9.1 to 9.14.

Table 8 Command overview (note 1)

COMMAND		BS1	BS0	7	6	5	4	3	2	1	0
0	Command Bank selection	X	X	0	1	1	1	1	0	BS1	BS0
1	Character font selection - Bank 1	0	0	1	C6	C5	C4	C3	C2	C1	C0
2	Character attributes	X	0	0	0	0	T4	T3	T2	T1	T0
3	Display Character Address High	0	0	0	0	1	0	A7	A6	A5	A4
4	Display Character Address Low	0	0	0	0	1	1	A3	A2	A1	A0
5	Character font selection - Bank 2	1	0	1	C6	C5	C4	C3	C2	C1	C0
6	OSD PLL oscillator divisor	0	1	0	0	D5	D4	D3	D2	D1	D0
7	Scan mode, polarity of FB, ACM, R, G, B and I; OSD enable/disable	0	1	0	1	0	0	M1	M0	Bp	EN
8	Polarity of HSYNC and VSYNC, Display mode	0	1	0	1	0	1	Hp	Vp	S1	S0
9	Blinking frequency, blinking frequency active ratio	0	1	0	1	1	0	BF1	BF0	BR1	BR0
A	I/O port selection	0	1	0	1	1	1	0	A/P	0	0
B	Vertical start position High	0	1	1	0	0	1	V5	V4	V3	V2
C	Vertical start position Low/ Horizontal start position High	0	1	1	0	1	0	V1	V0	H5	H4
D	Horizontal start position Low	0	1	1	0	1	1	H3	H2	H1	H0
E	Write to ports P00, P01 and P04	0	1	1	1	X	P04	X	X	P01	P00
F	Background colour in Frame shadowing mode	0	0	0	1	0	0	R	G	B	I

Note

1. 'X' denotes don't care state.

Stand-alone OSD

PCA8515

9.1 Command 0

Table 9 Command 0 format

7	6	5	4	3	2	1	0
0	1	1	1	1	0	BS1	BS0

Command 0 is used to select the Command Bank. Bits BS1 and BS0 are the two flags that indicate the current Command Bank being executed. During a master reset these two bits are cleared (BS1 = 0, BS0 = 0). Each command has its own associated Command Bank, this is shown in Table 8.

9.2 Command 1

Table 10 Command 1 format

BS1	BS0	7	6	5	4	3	2	1	0
0	0	1	C6	C5	C4	C3	C2	C1	C0

Command 1 is used to load character data into the DCR Character Register. The data will specify either a Character Font Code, the Test Code, the Carriage Return Code or the Space Code. These codes are explained in detail in Section 8.1.

9.3 Command 2

Table 11 Command 2 format

BS1	BS0	7	6	5	4	3	2	1	0
X	0	0	0	0	T4	T3	T2	T1	T0

This command writes character attribute data into the DCR Attribute Register. The actual character attribute is dependent upon the code selected by Command 1. See the data formats shown in Tables 2, 3 and 4.

9.3.1 CHARACTER FONT CODE ATTRIBUTES

Command 2 when used in conjunction with a Character Font Code (80H to FCH) will select 1 of 16 foreground colours and enables/disables the Blinking function.

Table 12 Selection of foreground colour

T4	T3	T2	T1
R	G	B	I
0	0	0	0
0	0	0	1
0	0	1	0
0	0	1	1
0	1	0	0
0	1	0	1
0	1	1	0
0	1	1	1
1	0	0	0
1	0	0	1
1	0	1	0
1	0	1	1
1	1	0	0
1	1	0	1
1	1	1	0
1	1	1	1

Table 13 Selection of Blinking function

T0	BLINKING
0	OFF
1	ON

Stand-alone OSD

PCA8515

9.3.2 CARRIAGE RETURN CODE ATTRIBUTES

Command 2 when used in conjunction with the Carriage Return Code (FEH) determines the size of characters to be displayed on the next line, sets the spacing between lines of characters and enables/disables the display.

The character size is also a function of the TV scanning standard being used and f_{OSD} ; this is explained in Chapter 12.

Table 14 Selection of character size

T4	T3	CHARACTER DOT SIZE
0	0	1H/1V (the default size)
0	1	2H/2V
1	0	3H/3V
1	1	4H/4V

Table 15 Selection of line spacing

T2	T1	LINE SPACING (BETWEEN TWO ROWS)
0	0	0H line
0	1	4H line
1	0	8H line
1	1	12H line

Table 16 End of display control

T0	DISPLAY CONTROL
0	Continue to display next character. This is also the default setting.
1	End of display

9.3.3 SPACE CODE ATTRIBUTES

Command 2 when used in conjunction with the Space Code (FFH) selects the background colour of characters in Box shadowing or North West shadowing modes and also controls the Active Character Monitor pin. The ACM pin will remain active until a Space Code is received that resets the ACM bit to logic 0. The ACM timing diagram is shown in Fig.10.

Table 17 Selection of background colour

T4	T3	T2	T1
R	G	B	I
0	0	0	0
0	0	0	1
0	0	1	0
0	0	1	1
0	1	0	0
0	1	0	1
0	1	1	0
0	1	1	1
1	0	0	0
1	0	0	1
1	0	1	0
1	0	1	1
1	1	0	0
1	1	0	1
1	1	1	0
1	1	1	1

Table 18 ACM control

T0	ACM PIN
0	The ACM pin is inactive; this is also the default setting.
1	The ACM function is active for all characters displayed following this Space Code.

Stand-alone OSD

PCA8515

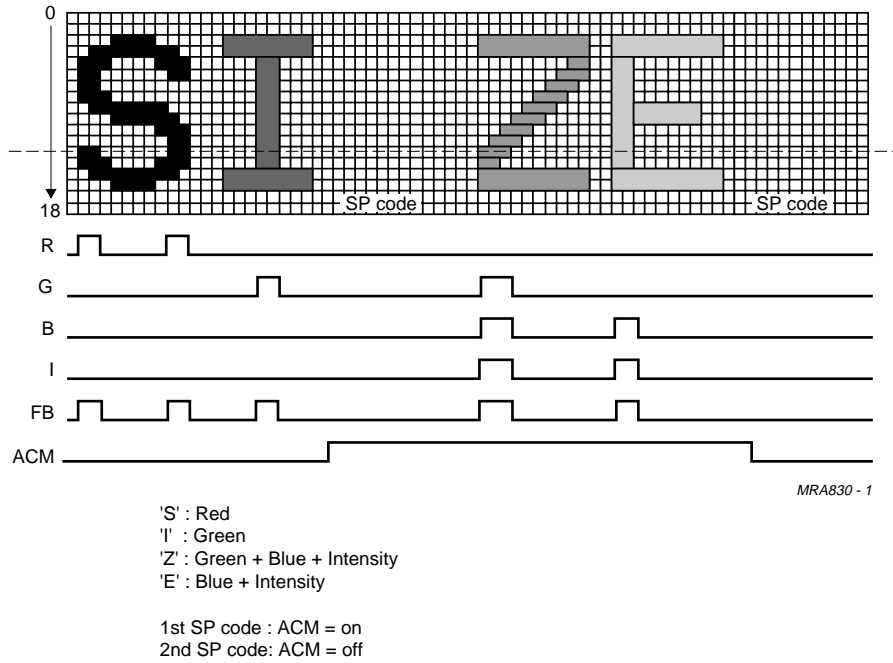


Fig.10 R, G, B, I - ACM timing.

Stand-alone OSD

PCA8515

9.4 Command 3

Table 19 Command 3 format

BS1	BS0	7	6	5	4	3	2	1	0
0	0	0	0	1	1	A7	A6	A5	A4

Command 3 loads the DCR Address Register with the 4 MSBs of the RAM address to which data will be written.

9.5 Command 4

Table 20 Command 4 format

BS1	BS0	7	6	5	4	3	2	1	0
0	0	0	0	1	1	A3	A2	A1	A0

Command 4 loads the DCR Address Register with the 4 LSBs of the RAM address to which data will be written.

9.6 Command 5

Table 21 Command 5 format

BS1	BS0	7	6	5	4	3	2	1	0
1	0	1	C6	C5	C4	C3	C2	C1	C0

Command 5 is used to load character data into the DCR Character Register. The data will specify either a Character Font Code, the Test Code, the Carriage Return Code or the Space Code. These codes are explained in detail in Section 8.1.

9.7 Command 6

Table 22 Command 6 format

BS1	BS0	7	6	5	4	3	2	1	0
0	1	0	0	D5	D4	D3	D2	D1	D0

Command 6 loads the programmable 6-bit counter of the OSD clock oscillator. The output frequency (f_{OSD}) is a function of the decimal value of the 6-bits loaded in by Command 6. See Chapter 11.

9.8 Command 7

Table 23 Command 7 format

BS1	BS0	7	6	5	4	3	2	1	0
0	1	0	1	0	0	M1	M0	Bp	EN

This command loads Control Register 1 with data that selects the scan mode, the output polarity of signals FB, ACM, R, G, B and I, and also enables/disables the OSD clock.

Table 24 Selection of Scan Mode

M1	M0	SCAN MODE
0	0	NTSC - 525LPF/60 Hz or PAL 625LPF/50 Hz; see Fig.11. This is the default setting.
0	1	reserved
1	0	reserved
1	1	PAL 1250LPF/100 Hz - PAL; see Fig.12.

Table 25 Selection of output polarity (see Fig.13)

Bp	OUTPUT POLARITY (FB, ACM, R, G, B, I)
0	active LOW
1	active HIGH (the default setting)

Table 26 OSD clock control

EN	OSD CLOCK
0	disabled (the default setting)
1	enabled

Stand-alone OSD

PCA8515

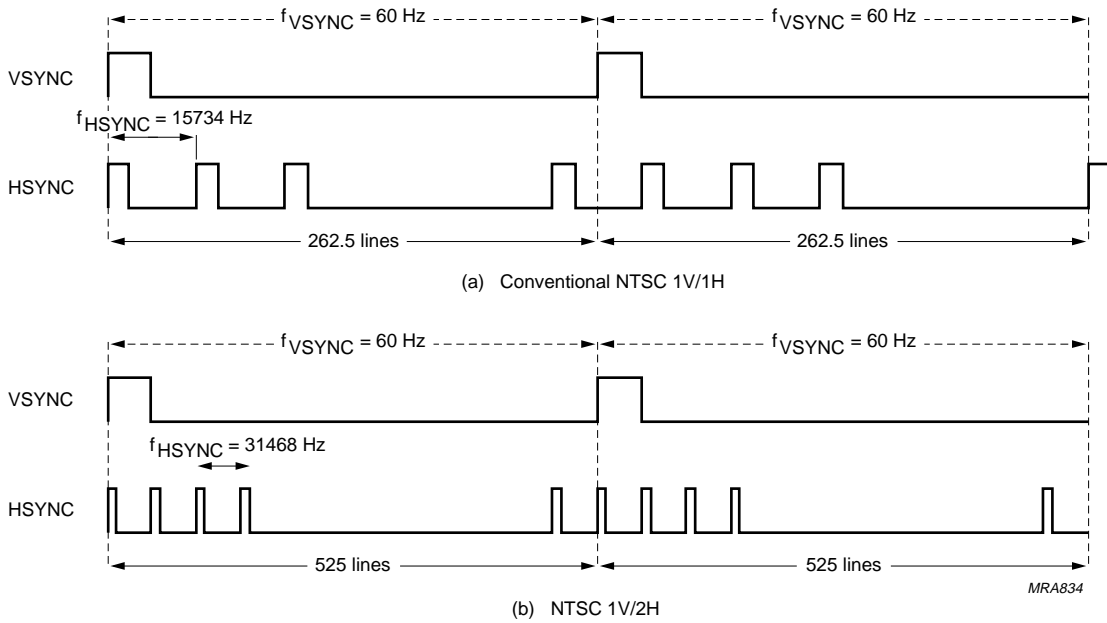


Fig.11 NTSC scan formats.

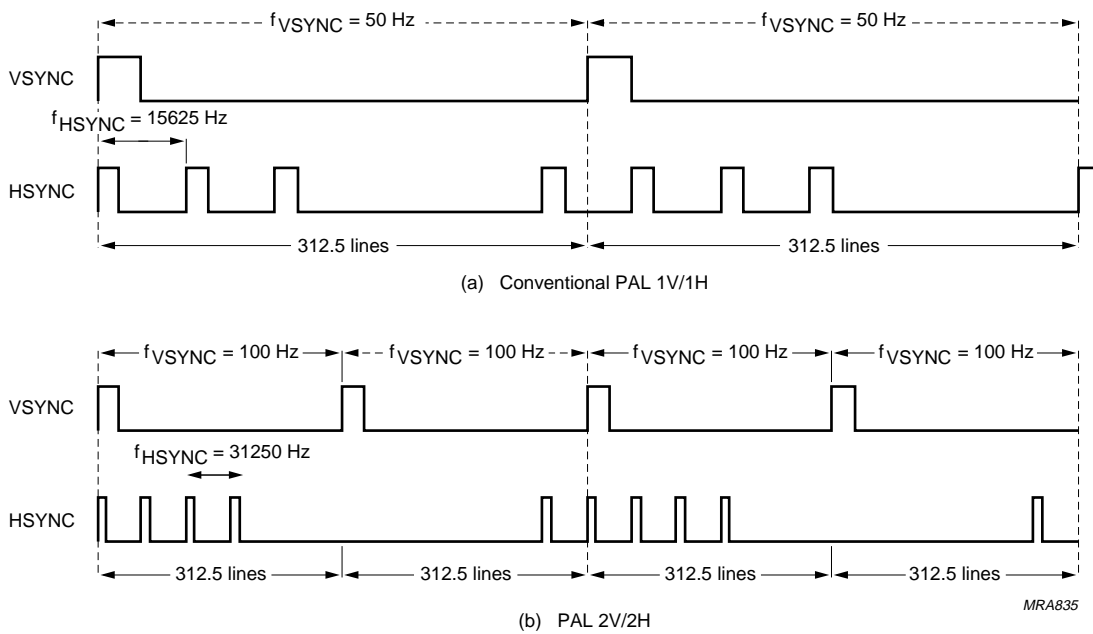


Fig.12 PAL scan formats.

Stand-alone OSD

PCA8515

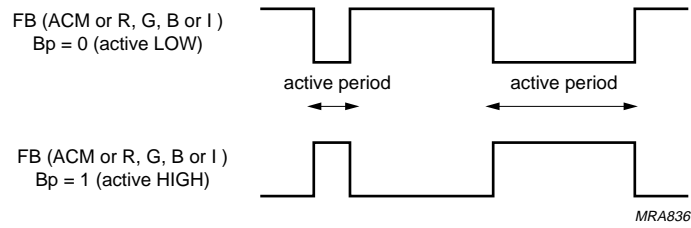


Fig.13 Active levels of FB, R, G, B, and I signals.

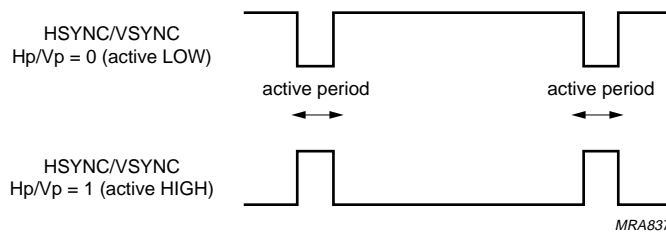


Fig.14 Active levels of HSYNC and VSYNC signals.

Stand-alone OSD

PCA8515

9.9 Command 8

Table 27 Command 8 format

BS1	BS0	7	6	5	4	3	2	1	0
0	1	0	1	0	1	Hp	Vp	S1	S0

Command 8 loads Control Register 2 with data that selects the input polarity of HSYNC and VSYNC (see Fig.14) and also selects the Display modes.

Table 28 Selection of input polarity of HSYNC/VSYNC

Hp/Vp	INPUT POLARITY
0	active LOW (the default setting)
1	active HIGH

Table 29 Selection of Display Mode

S1	S0	DISPLAY MODE
0	0	Mode 0: this is the No background mode. The OSD characters are superimposed on the TV video signals (see Fig.15).
0	1	Mode 1: this is the North West shadowing mode; available only with character sizes 2V/2H or 4V/4H. The shadows are generated as if a light source was placed North West of the character (see Figs 16 to 18). The shadows generated lie within 18 rows in a vertical direction but can be extended by one bit to the next characters first column, in a horizontal direction (see Figs 19 and 20).
1	0	Mode 2: this is the Box shadowing mode. A background dot matrix of 12 × 18 bits surrounds the character font; see Figs 21 and 22.
1	1	Mode 3: this is the Frame shadowing (raster blanking) mode. A background colour fills the whole screen when no bit patterns are being displayed (see Fig.23). 1 of 16 background colours can be selected using Command F; the default background colour is BLUE.

9.10 Command 9

Table 30 Command 9 format

BS1	BS0	7	6	5	4	3	2	1	0
0	1	0	1	1	0	BF1	BF0	BR1	BR0

This command loads Control Register 3 with data that controls both the character blinking frequency and the active ratio of the character blinking frequency. Figures 25 to 29 show how blinking influences the display in different display modes.

Table 31 Selection of blinking frequency

BF1	BF0	BLINKING FREQUENCY (Hz)
0	0	$\frac{f_{VSYNC}}{16}$; this is the default setting
0	1	$\frac{f_{VSYNC}}{32}$
1	0	$\frac{f_{VSYNC}}{64}$
1	1	$\frac{f_{VSYNC}}{128}$

Table 32 Selection of active ratio of character blinking

BR1	BR0	ACTIVE RATIO
0	0	3 : 1 (the default setting)
0	1	1 : 1
1	0	1 : 3
1	1	reserved

Stand-alone OSD

PCA8515

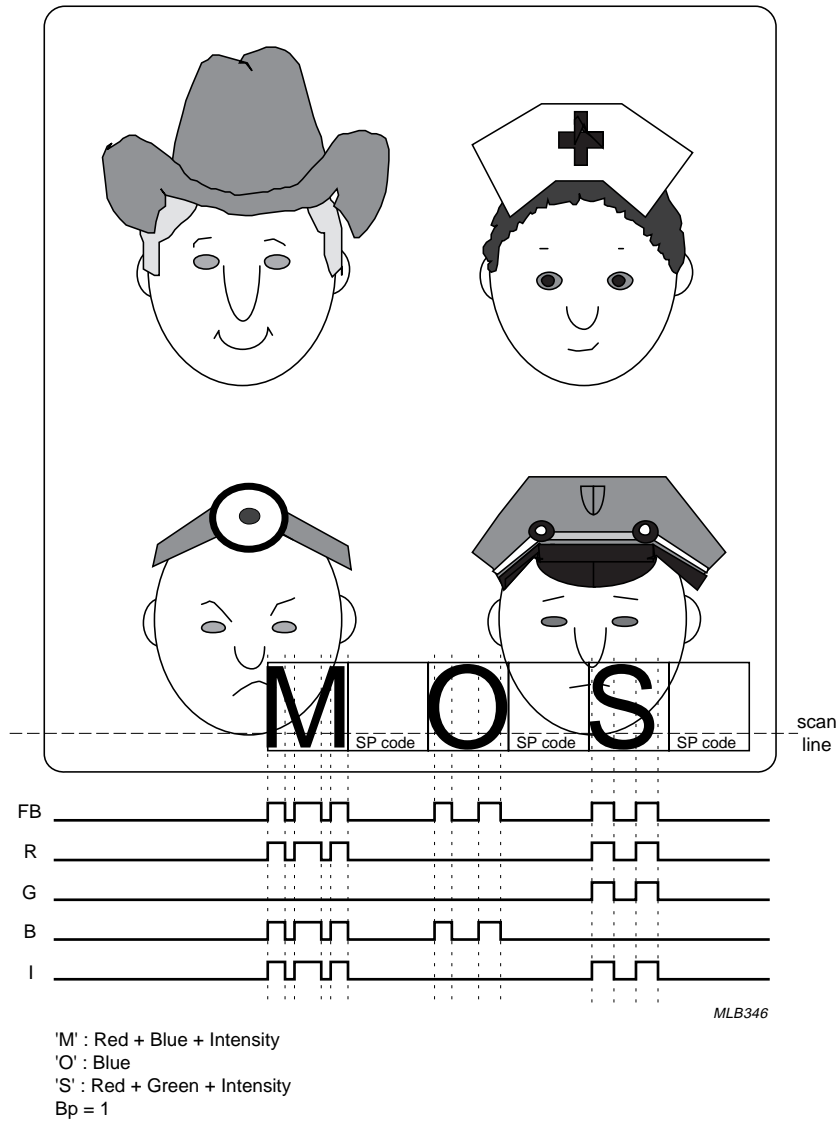


Fig.15 Mode 0: No background mode.

Stand-alone OSD

PCA8515

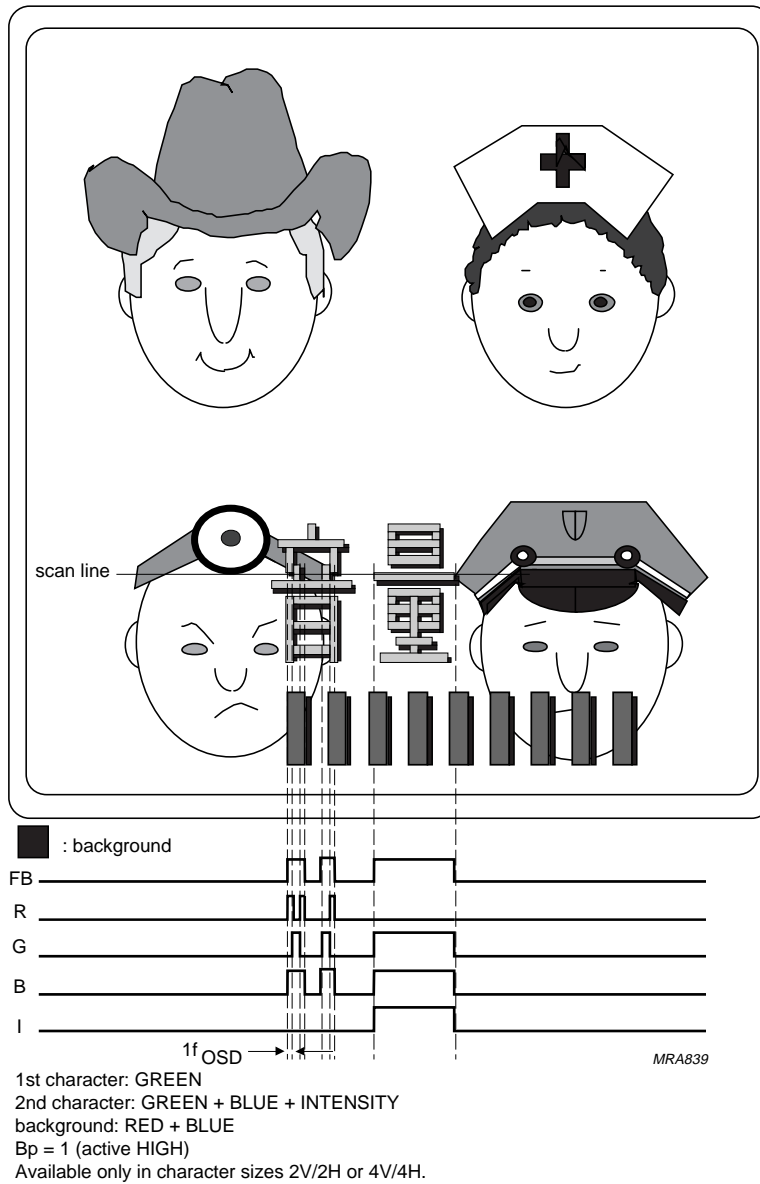


Fig.16 Mode 1: North West shadowing mode.

Stand-alone OSD

PCA8515

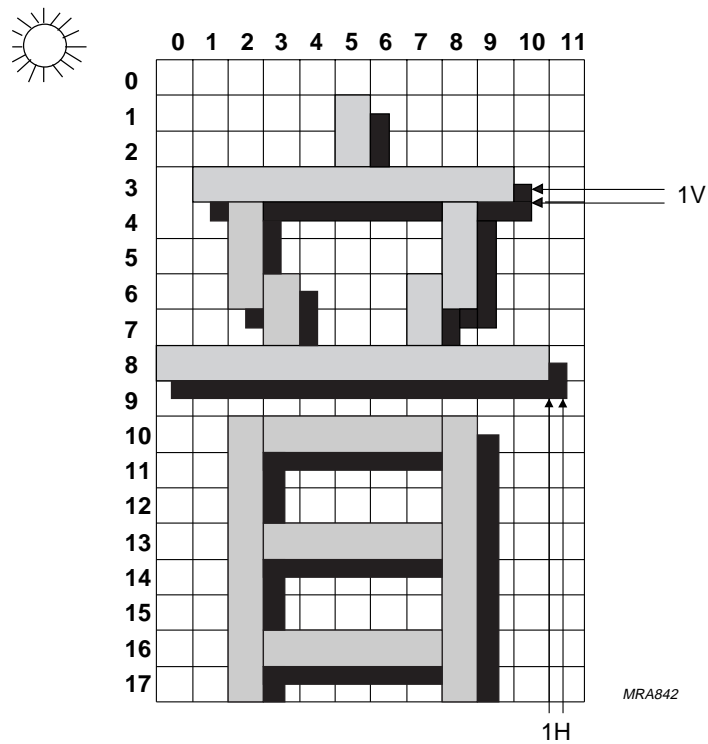


Fig.17 Example of North West shadowing mode - size 2V/2H.

Stand-alone OSD

PCA8515

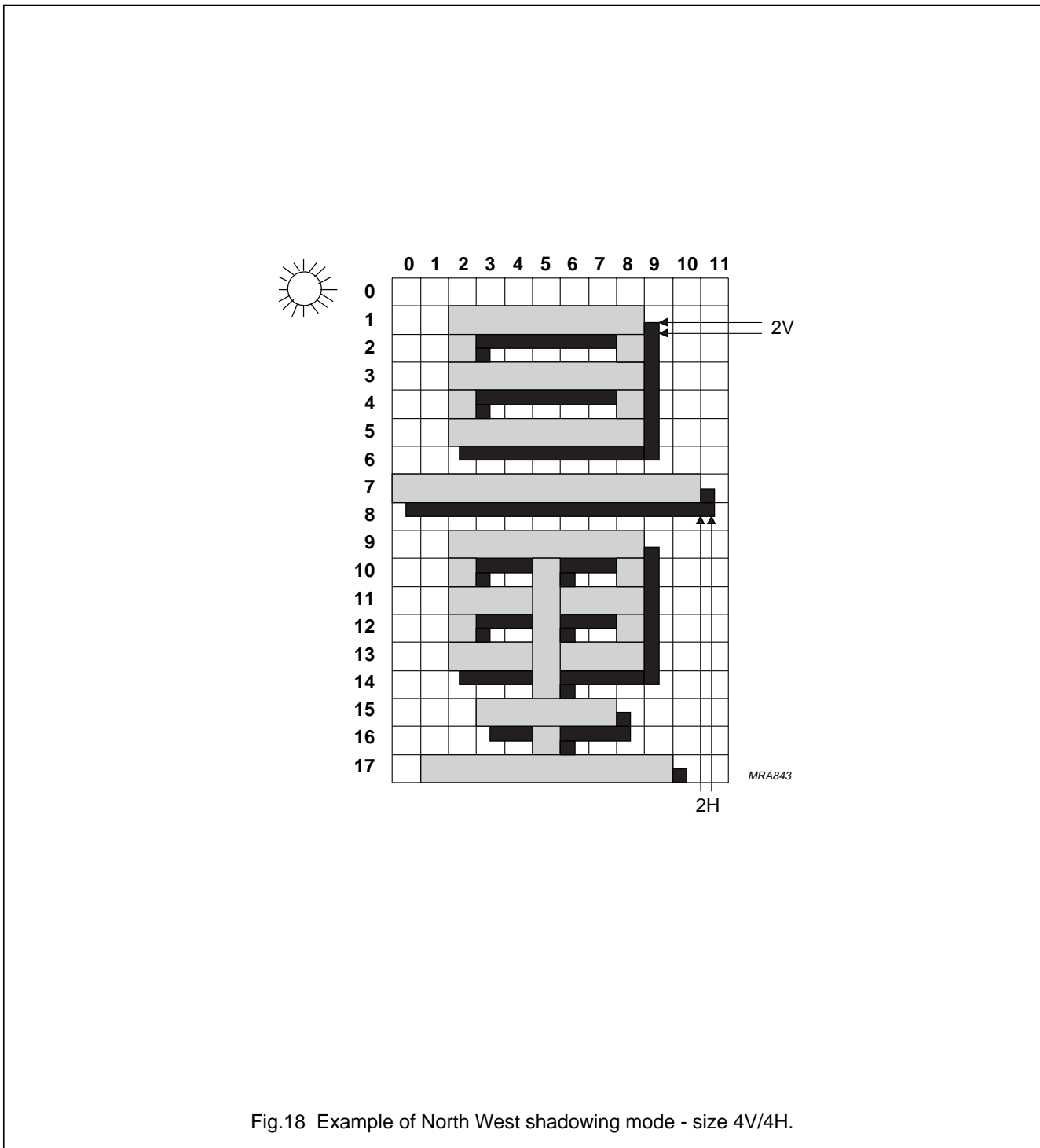
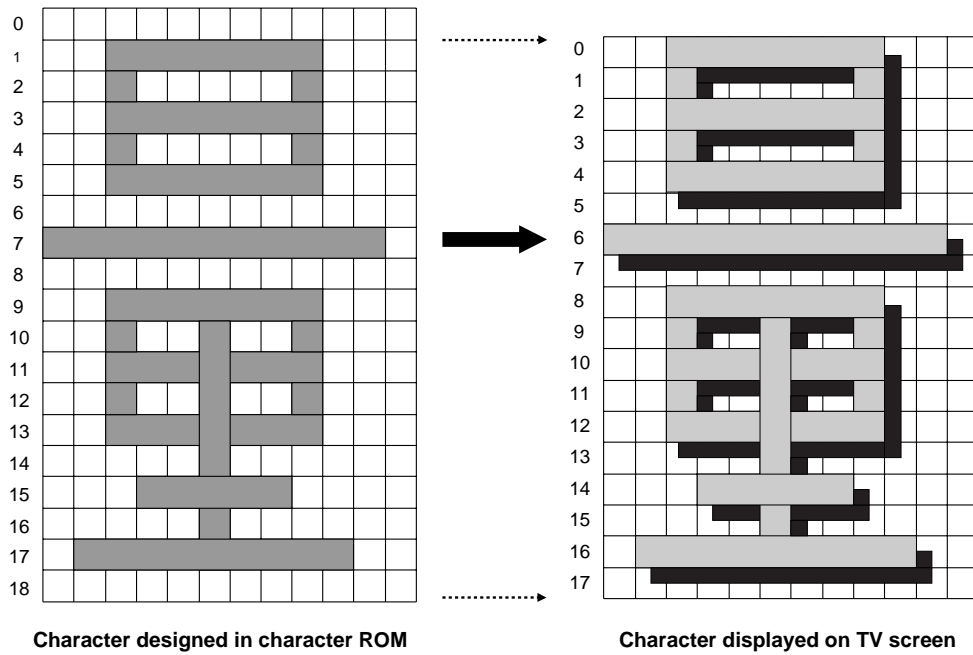


Fig.18 Example of North West shadowing mode - size 4V/4H.

Stand-alone OSD

PCA8515



MRA844

Fig.19 Example of North West shadowing mode.

Stand-alone OSD

PCA8515

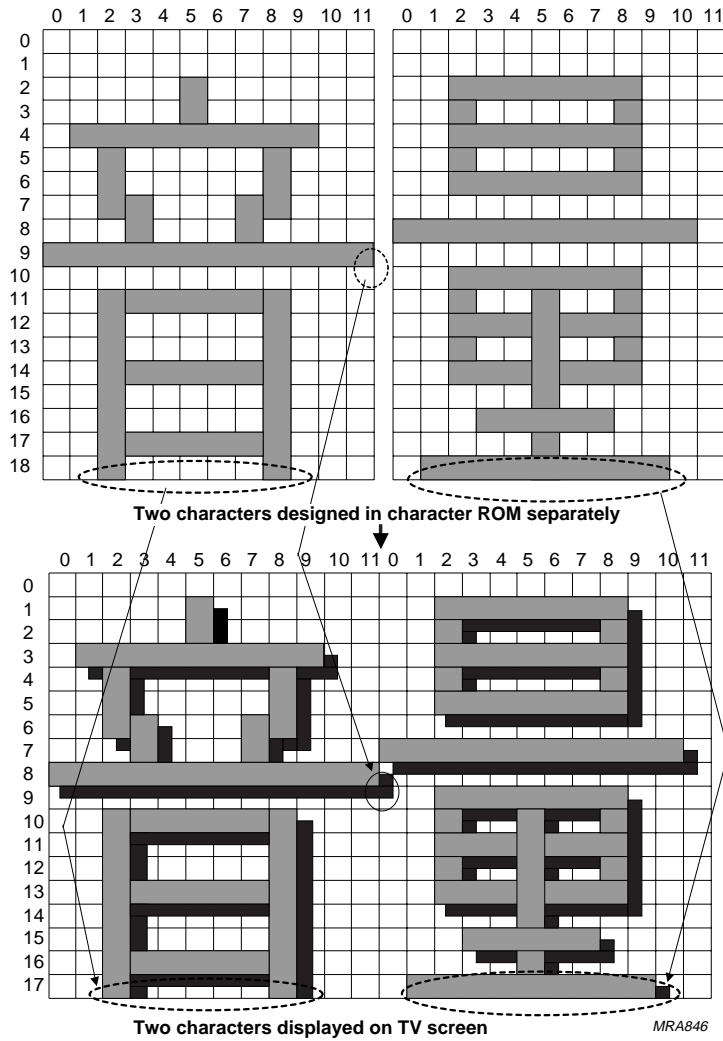


Fig.20 North-West shadowing.

Stand-alone OSD

PCA8515

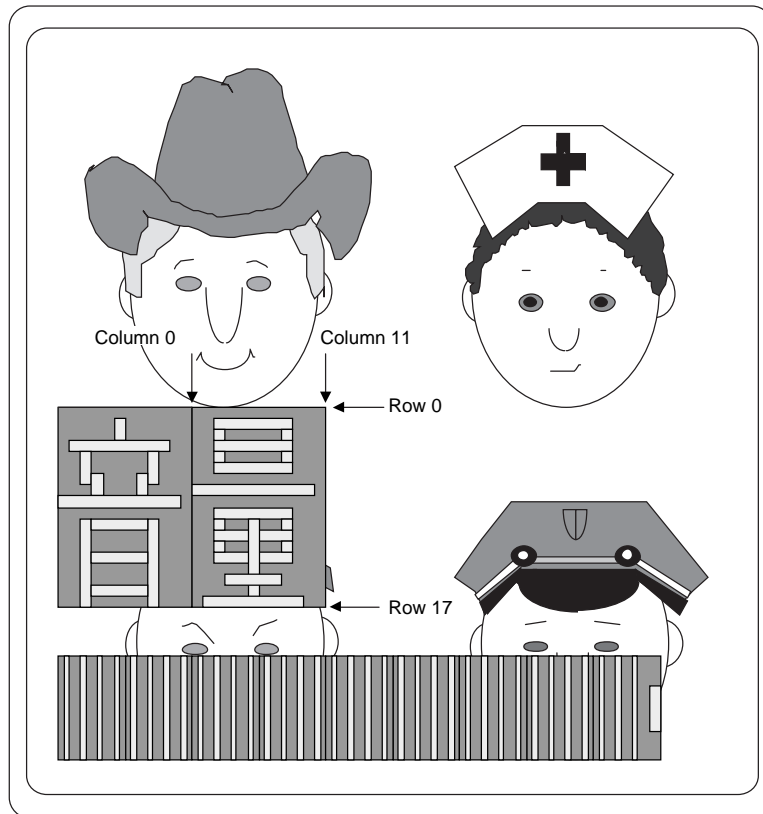


Fig.21 Mode 2: Box shadowing mode.

Stand-alone OSD

PCA8515

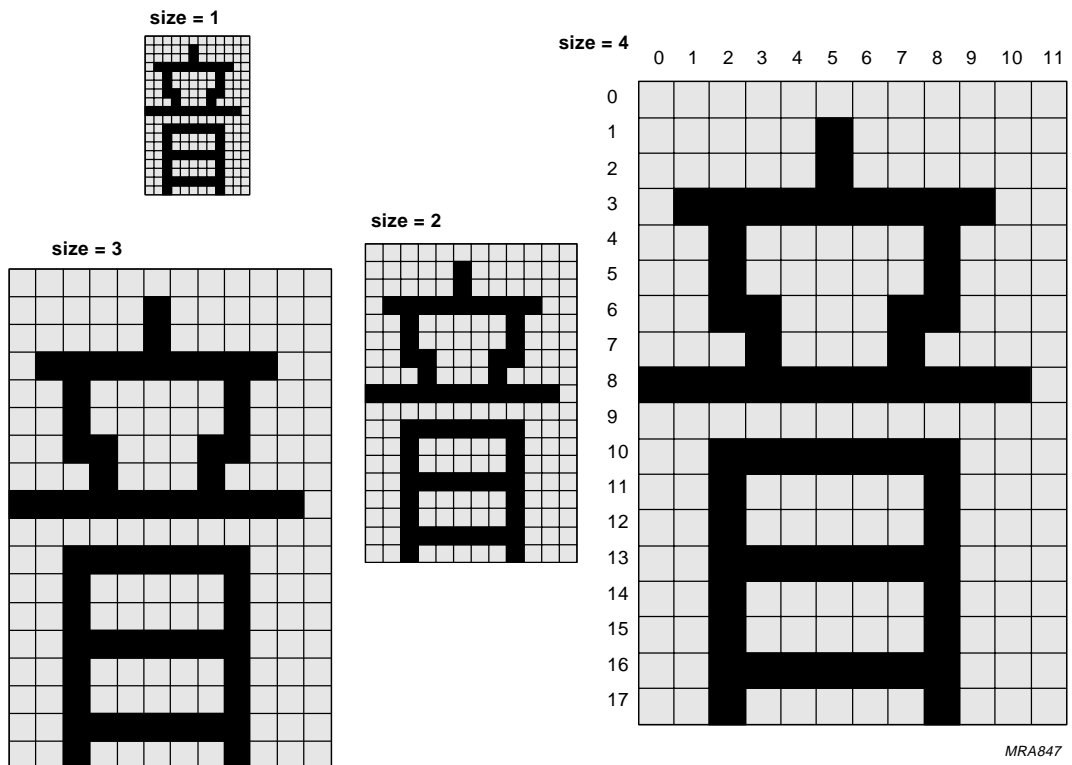
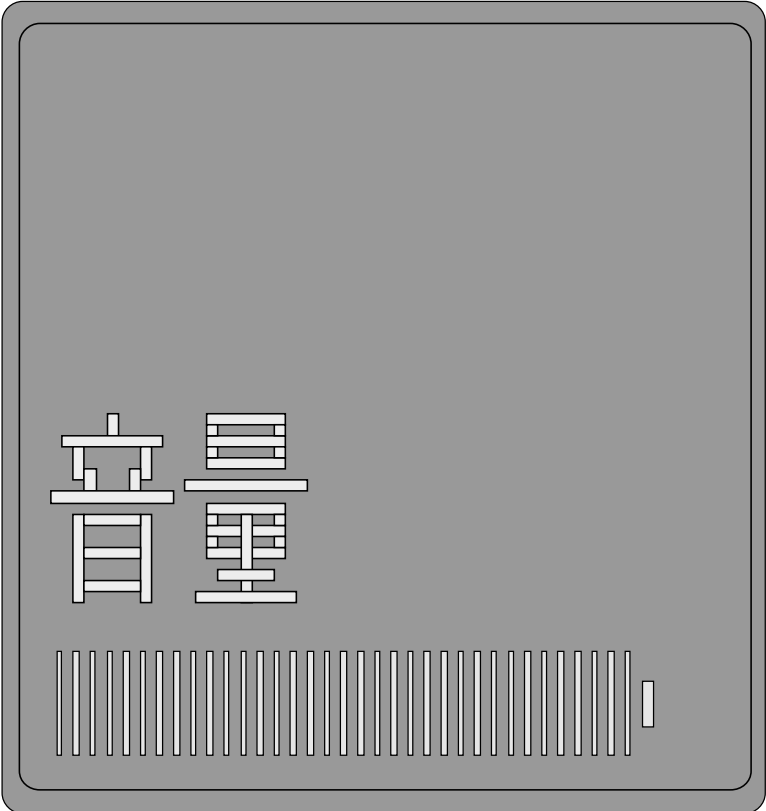


Fig.22 Example of Box shadowing mode.

Stand-alone OSD

PCA8515



■ Background: BLUE

MRA841

Fig.23 Mode 3: Frame shadowing mode.

Stand-alone OSD

PCA8515

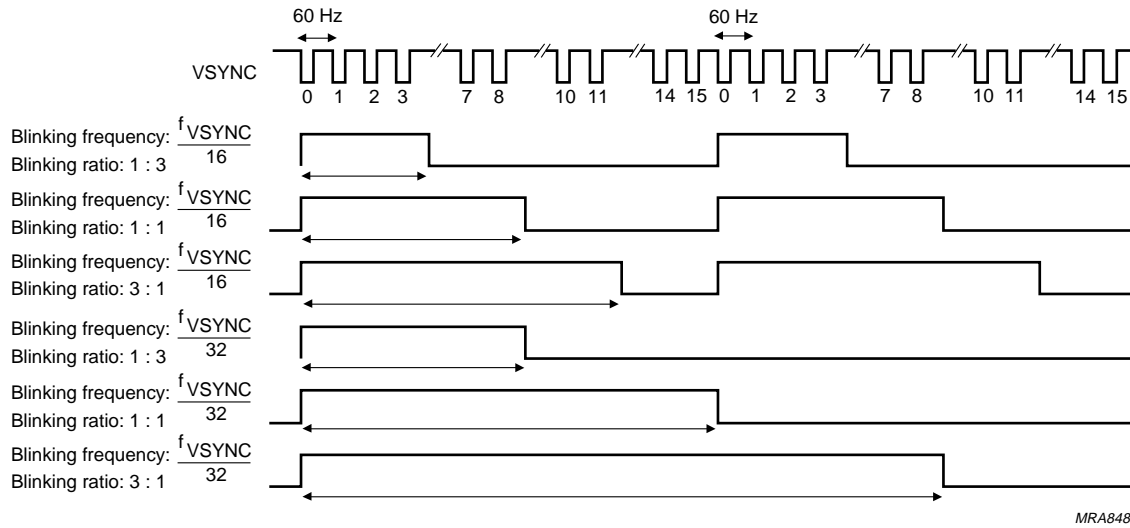


Fig.24 Timing diagram of character blinking frequency and blinking ratio.

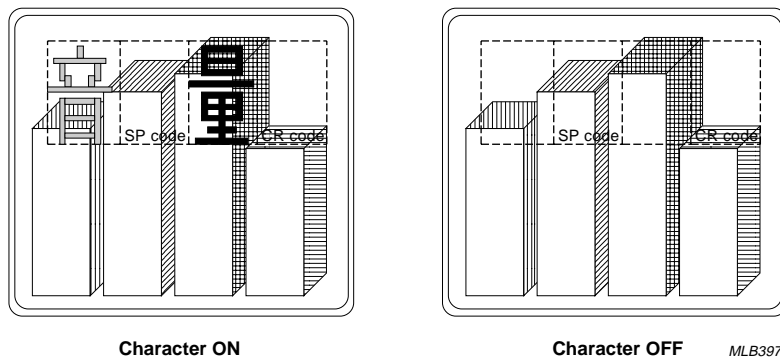


Fig.25 Blinking in No background mode.

Stand-alone OSD

PCA8515

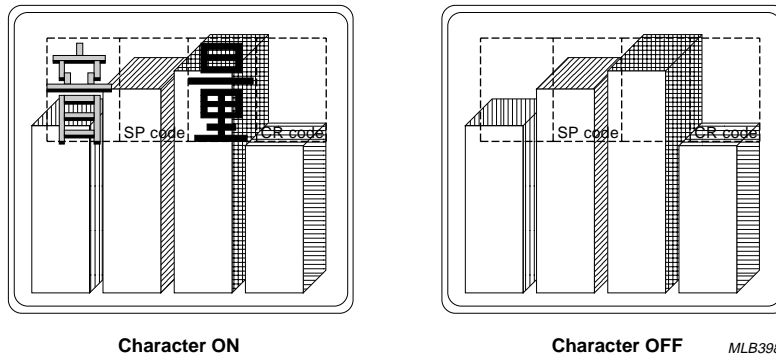


Fig.26 Blinking in North-West shadowing mode.

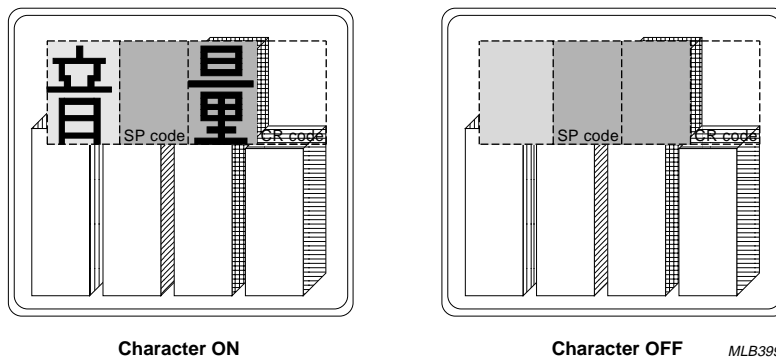


Fig.27 Blinking in Box shadowing mode (Space Code with background).

Stand-alone OSD

PCA8515

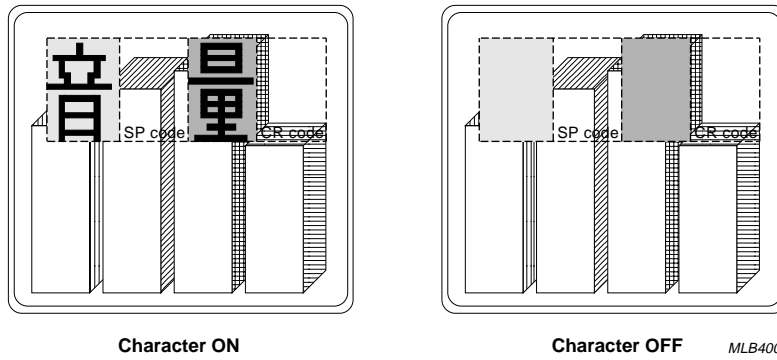


Fig.28 Blinking in Box shadowing mode (Space Code without background).

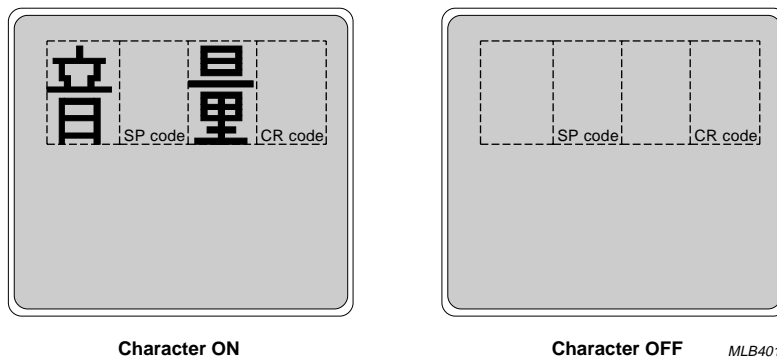


Fig.29 Blinking in Frame shadowing mode.

Stand-alone OSD

PCA8515

9.11 Command A

Table 33 Command A format

BS1	BS0	7	6	5	4	3	2	1	0
0	1	0	1	1	1	0	A/P	0	0

Command A loads Control Register 4 with data that determines the function of pin 2 (P04/ACM(VOB2)).

Table 34 Selection of P04 or ACM

A/P	PIN FUNCTION
0	P04 is selected as an output port. Data is written to this port using Command E. This is also the default setting.
1	ACM function selected; can also be used as the 5th colour signal.

9.12 Commands B, C and D

Table 35 Command B format

BS1	BS0	7	6	5	4	3	2	1	0
0	1	1	0	0	1	V5	V4	V3	V2

Table 36 Command C format

BS1	BS0	7	6	5	4	3	2	1	0
0	1	1	0	1	0	V1	V0	H5	H4

Table 37 Command D format

BS1	BS0	7	6	5	4	3	2	1	0
0	1	1	0	1	1	H3	H2	H1	H0

These three commands determine the vertical and horizontal start positions of the display. 64 vertical and 64 horizontal start positions can be selected. After a master reset, starting positions are not guaranteed and therefore must be programmed by the user. The horizontal start position (HP) and the vertical start position (VP) may be calculated as follows:

$$HP = [4 \times (H5 \rightarrow H0) + 5] \times f_{OSD}$$

Where (H5 → H0) is the decimal value of these 6 bits and (H5 → H0) ≥ 4.

$$VP = [4 \times (V5 \rightarrow V0)] \times \text{number of scan lines}$$

Where (V5 → V0) is the decimal value of these 6 bits and (V5 → V0) ≥ 0.

9.13 Command E

When output ports P00, P01 and P04 are enabled, Command E is used to write data to them.

Table 38 Command E format

BS1	BS0	7	6	5	4	3	2	1	0
0	1	1	1	X	P04	X	X	P01	P00

9.14 Command F

Table 39 Command F format

BS1	BS0	7	6	5	4	3	2	1	0
0	0	0	1	0	0	R	G	B	I

This command loads Control Register 5 with data that determines the background colour in Frame shadowing mode.

Stand-alone OSD

PCA8515

10 MISCELLANEOUS

10.1 Space and Carriage Return Codes in different Background/Shadowing modes.

Figures 30 to 34 show the Space Code and Carriage Return Code in the 4 different Background/Shadowing modes.

- Mode 0: the No background mode. Both the Space Code and the Carriage Return Code are displayed as transparent (no bit) patterns with the video signal as the background. This is shown in Fig.30.
- Mode 1: the North West shadowing mode. Both codes are displayed in the same manner as for Mode 0. This is shown in Fig.31.
- Mode 2: the Box shadowing mode. The Space Code is displayed as an opaque pattern with a selected background colour. This will also be the background colour of the character following the Space Code. The Carriage Return Code however, is displayed as a transparent (no bit) pattern superimposed on the video signal. This is shown in Fig.32.

The Space Code can also be displayed as a transparent pattern on the video signal, and this is shown in Fig.33. The choice of whether the Space Code displays an opaque pattern or a transparent pattern is mask programmable.

- Mode 3: the Frame shadowing mode. The Space Code and Carriage Return Code are displayed as transparent patterns with background colour. This is shown in Fig.34.

10.2 Combination of character font cells

Two (or more) character font cells may be combined in a horizontal or vertical direction to create a new higher resolution pattern.

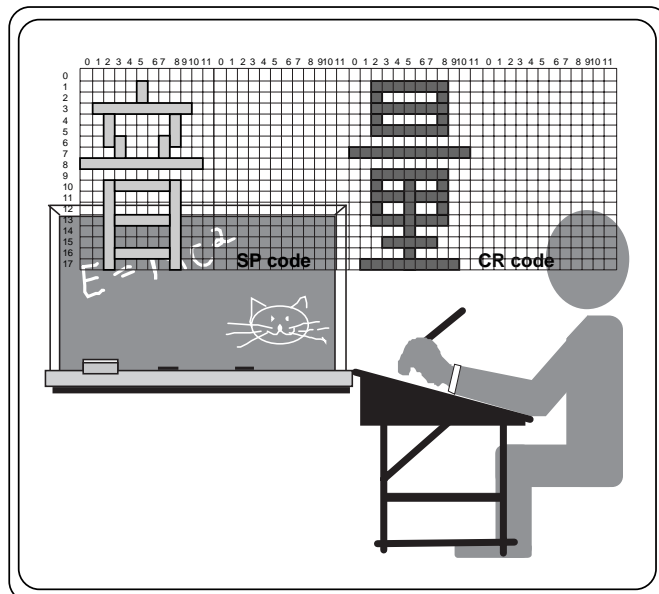
The combination of two cells in a horizontal direction is straight forward and requires no special precautions to be taken. When combining character cells in this manner all 4 Background/Shadowing modes are available. An example of combining two character font cells in a horizontal direction is shown in Fig.35.

However, the combination of two character font cells in a vertical direction is more difficult and care must be taken; otherwise, the new pattern may be created with gaps in its shadowing. An example of a character pattern with gaps is shown in Fig.37. Providing the steps listed below are followed no problems with shadowing will occur.

- The line spacing between two rows of characters must be programmed to 0H. This procedure is explained in Section 9.3.2.
- If the North-West shadowing mode is selected then when combining two character cells in a vertical direction Row 0 must contain the same bit pattern as held in Row 18 of the character directly above it. This is shown in Fig.38.
- If North-West shadowing is not required then Row 0 should contain all zeros.

Stand-alone OSD

PCA8515

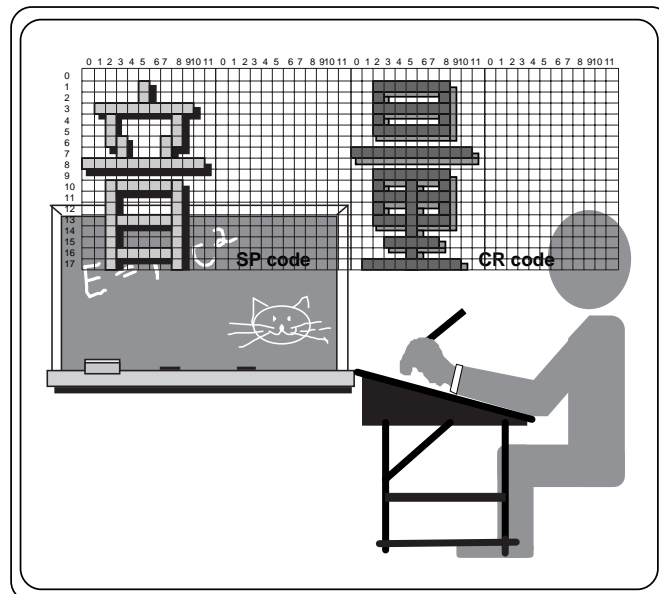


MRA853

Fig.30 Space Code and Carriage Return Code in No Background mode - transparent pattern.

Stand-alone OSD

PCA8515



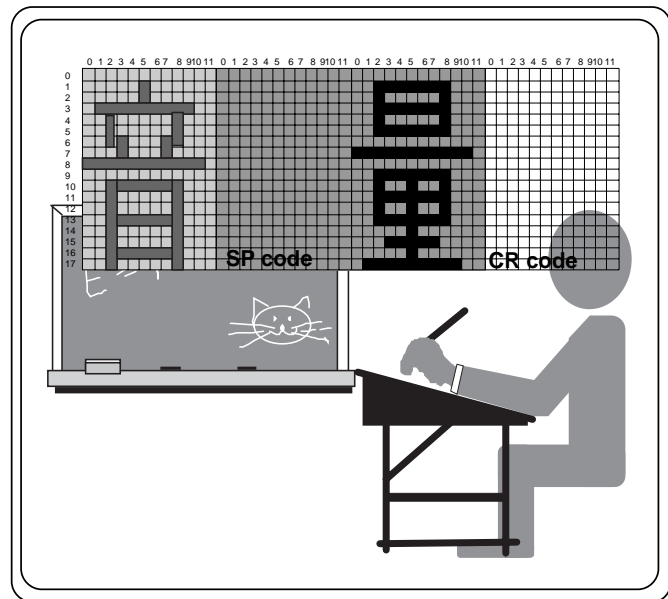
- RED
- BLACK (background)
- BLUE
- GREEN (background)

MRA854

Fig.31 Space Code and Carriage Return Code in North West shadowing mode - transparent pattern.

Stand-alone OSD

PCA8515



- RED ■ YELLOW(background)
- BLUE ■ CYAN (background)

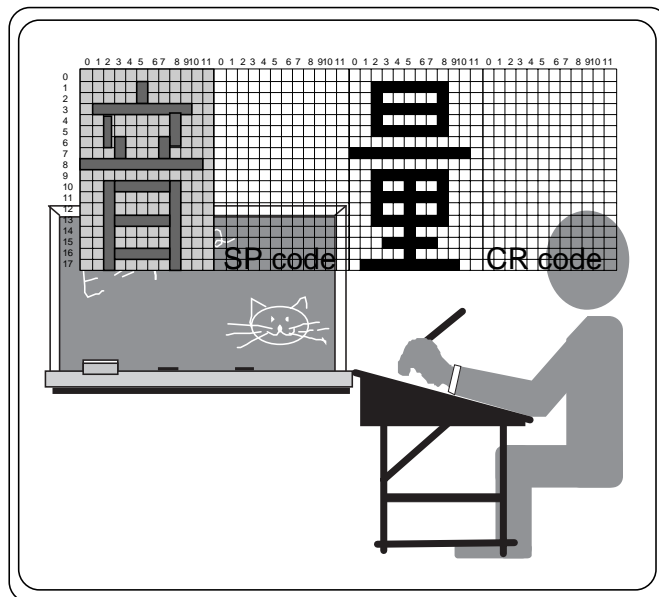
MRA855

SP code is an opaque pattern with the background colour of the character it intends to change or keep.
 CR code is always a transparent pattern with the video signal as its background.
 SP code can change the background colour of itself and the character/word next to it (in this example: from cyan to yellow).

Fig.32 Space Code and Carriage Return Code in Box shadowing mode.

Stand-alone OSD

PCA8515



RED
 YELLOW (background)
 BLUE
 CYAN (background)

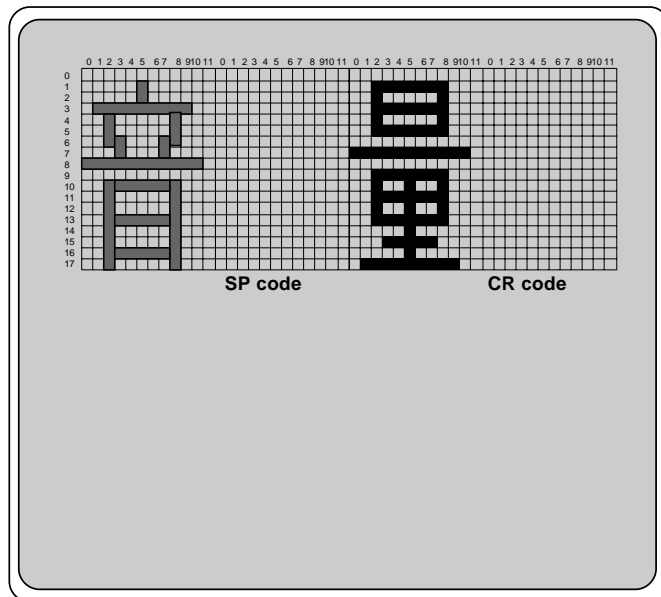
MED267

SP code is an transparent pattern with no background colour.
 CR code is always a transparent pattern with the video signal as its background.
 SP code can change the background colour the character/word next to it
 (in this example : from cyan to yellow).

Fig.33 Space Code and Carriage Return Code in Box shadowing mode.

Stand-alone OSD

PCA8515



■ RED ■ YELLOW (background)
■ BLUE

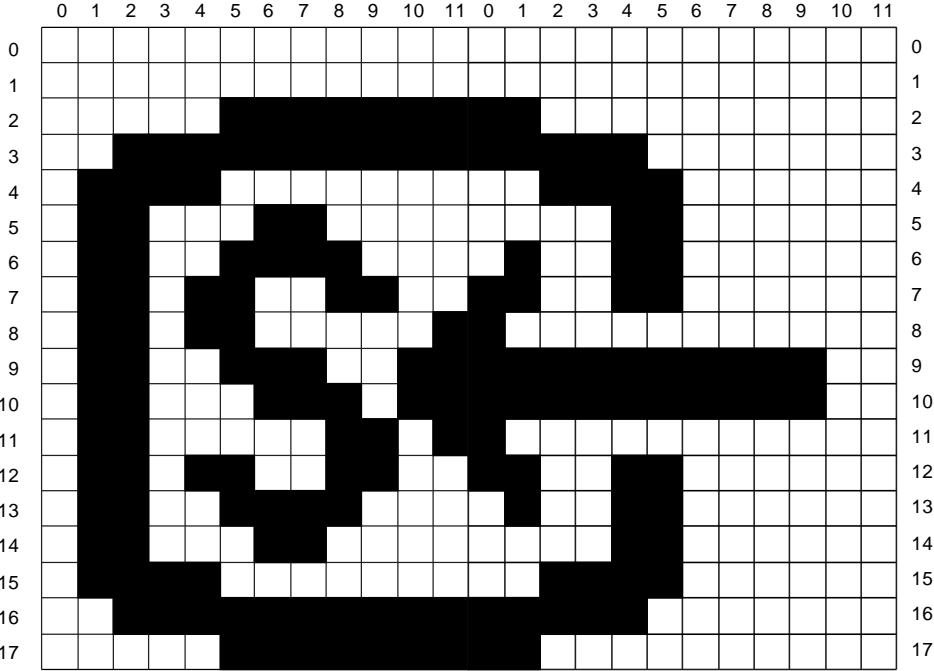
MRA856

SP and CR codes are both transparent patterns coloured the same as the background colour.

Fig.34 Space Code and Carriage Return Code in Frame shadowing mode.

Stand-alone OSD

PCA8515



MRA849

Fig.35 Combination of two character cells in a horizontal direction to create a new font.

Stand-alone OSD

PCA8515

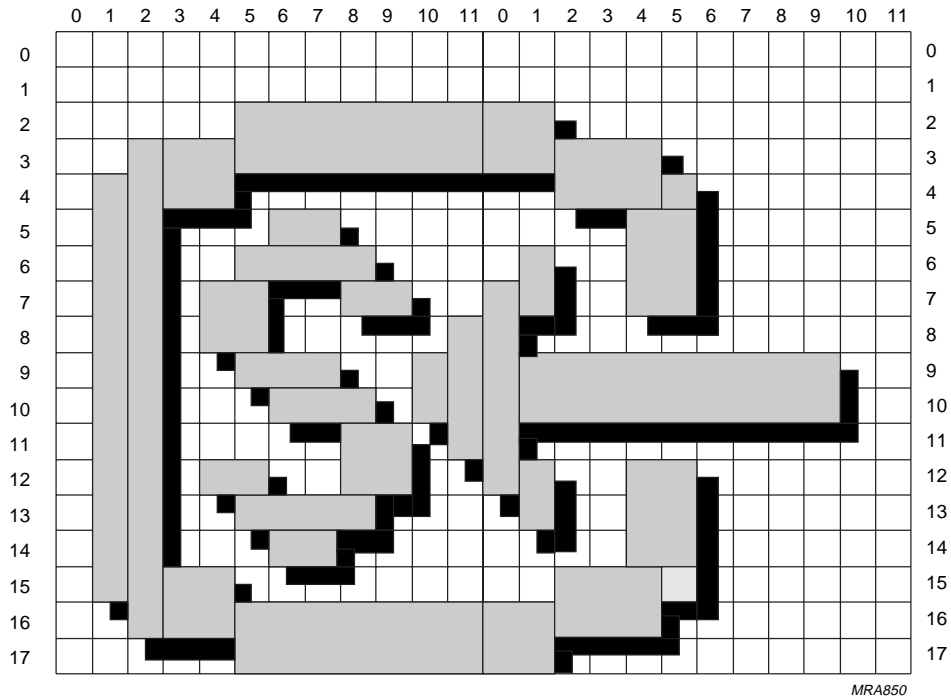


Fig.36 Combination of two character cells in a horizontal direction to create a new font North West shadowing mode.

Stand-alone OSD

PCA8515

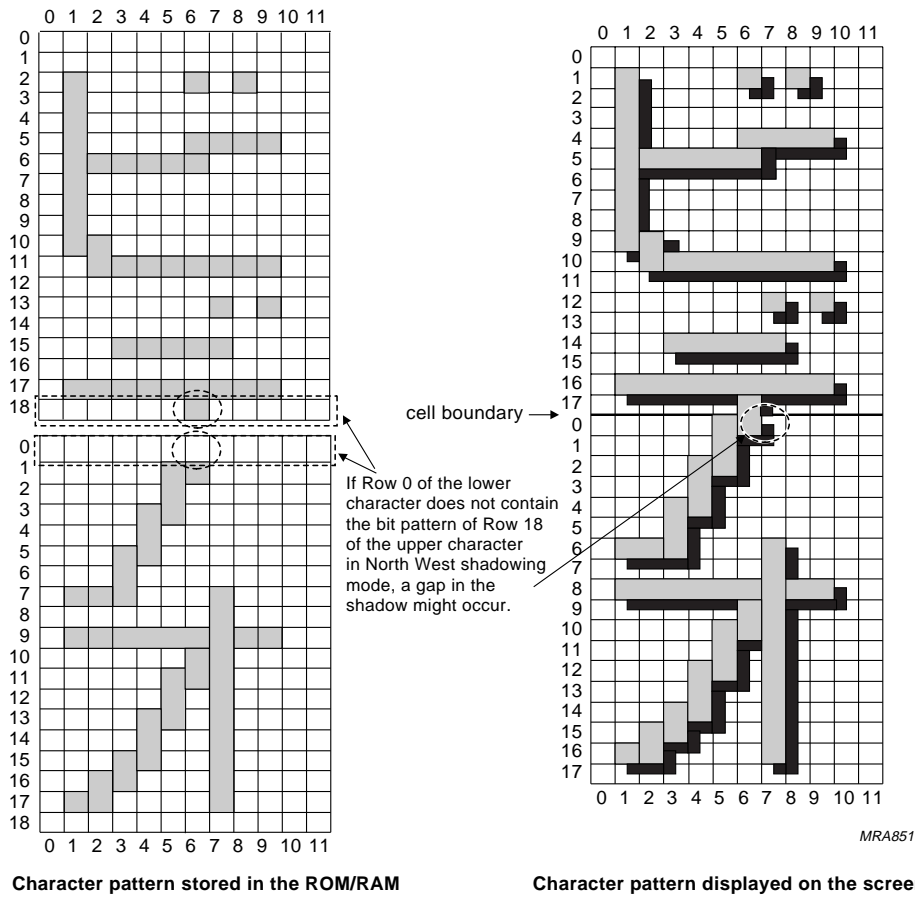


Fig.37 Combination of two characters in a vertical direction - with gap.

Stand-alone OSD

PCA8515

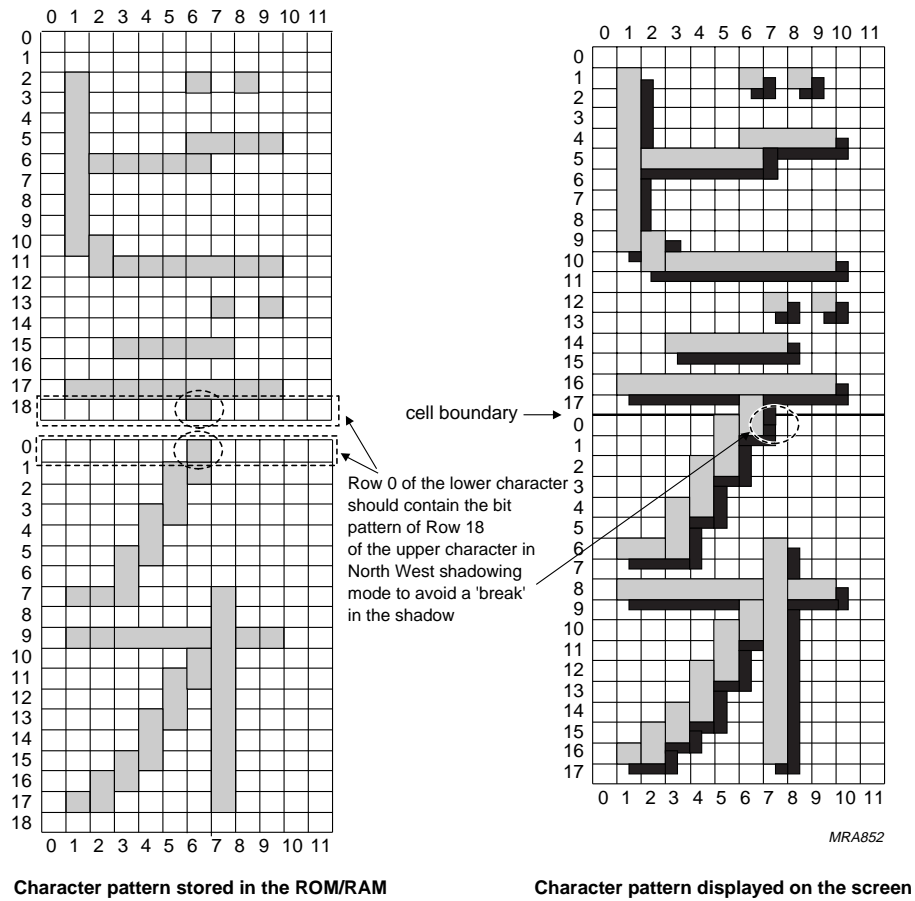


Fig.38 Combination of two characters in a vertical direction - with no gap.

Stand-alone OSD

PCA8515

11 OSD CLOCK

The on-chip clock generator comprises Phase-Locked Loop circuitry and is shown in Fig.39. The frequency of the OSD clock is programmable and is determined by the contents of the 6-bit counter, which is loaded using Command 6. The OSD clock frequency is calculated as shown below; frequencies within the range 4 to 10 MHz can be selected.

$$f_{OSD} = f_{HSYNC} \times 16 \times (PLL\text{CN})$$

Where: $16 < (PLL\text{CN}) < 40$; (PLL CN) is the decimal value held in the 6-bit counter.

The Voltage Controlled Oscillator (VCO) is synchronized to the HIGH-to-LOW edge of f_1 (see Fig.39) which is always on the trailing edge of f_{HSYNC} . The programmable active level detector will pass the HSYNC signal if it is programmed as active HIGH or invert the HSYNC signal if it is programmed as active LOW. The 4-bit prescaler increments or decrements the output of the VCO in steps of $(16 \times f_{HSYNC})$.

The OSD clock is enabled/disabled using Command 7; see Section 9.8. When the OSD clock is disabled, the oscillator remains active, therefore the transient time from the OSD clock start-up to locking into the external f_{HSYNC} signal is reduced. As the on-chip oscillator is always active after power-on, when the OSD clock is enabled no large currents flow (as for RC or LC oscillators); therefore radiated noise is dramatically reduced.

Character width is a function of the OSD clock frequency; decreasing f_{OSD} increases the width of the characters. Therefore, for optimum character display quality the choice of the OSD clock frequency is important; this is explained in Chapter 12.

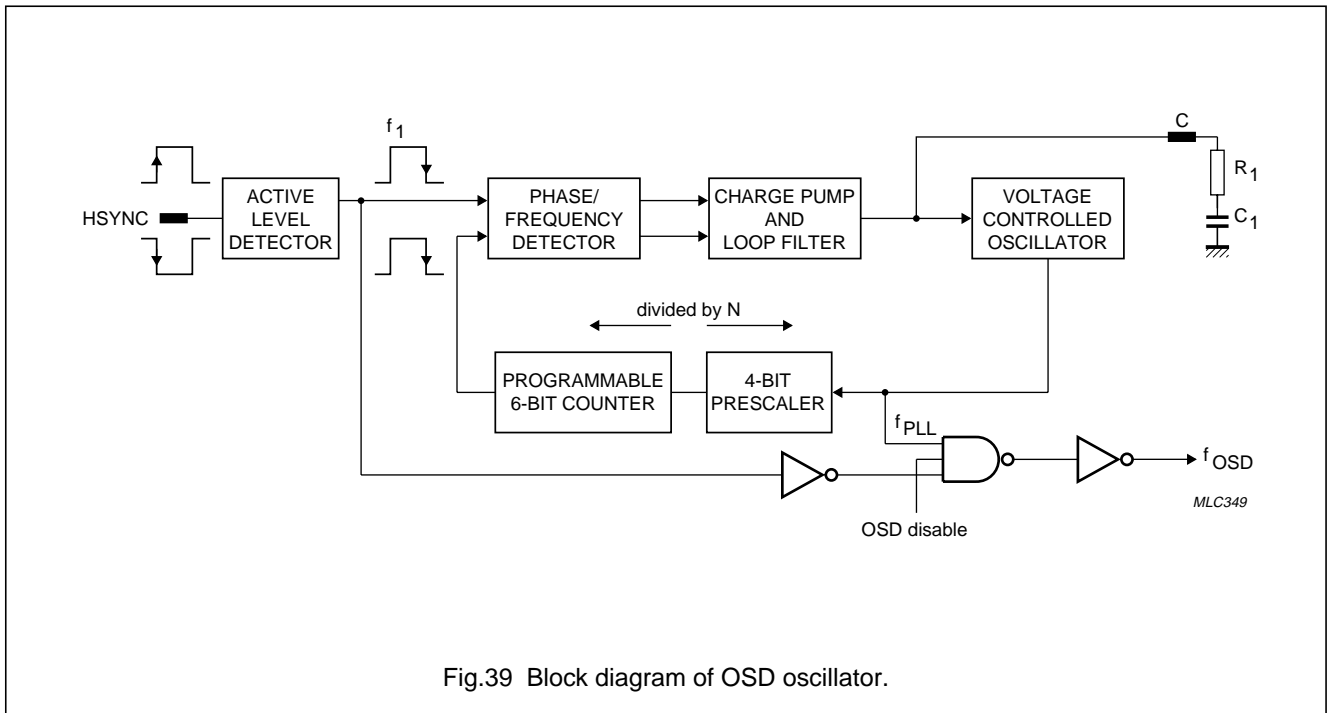


Fig.39 Block diagram of OSD oscillator.

Stand-alone OSD

PCA8515

12 OSD CLOCK SELECTION FOR DIFFERENT TV STANDARDS

12.1 OSD frequency

The PCA8515 supports three different TV scanning standards. To obtain the best quality character display, each TV standard requires a different OSD frequency. To cater for this requirement the PCA8515 provides a programmable OSD clock that generates frequencies in the range 4 to 10 MHz. The two examples given below illustrate the OSD clock requirements for different TV scanning standards.

12.1.1 NTSC 525LPF/60 Hz and PAL 625LPF/50 Hz

The OSD clock is applied directly to the OSD circuitry and can take any value within the 4 to 10 MHz range. The NTSC 525LPF/60 Hz standard when used with a 19 inch screen and an OSD clock of 8 MHz produces a character dot width of 13.2 mm.

12.1.2 PAL 1250LPF/100 Hz

With this standard, in order to obtain the same character dot width as in the NTSC 525LPF/50 Hz example given above; the OSD clock must be doubled.

HSYNC is applied directly to the OSD circuitry without being divided by two as both the horizontal frequency (1250 Hz) and the vertical frequency (100 Hz) are doubled.

12.2 Maximum number of characters per row

The number of characters per row is a function of the OSD clock frequency and the TV standard used.

With reference to Fig.40 the active video signal period of a horizontal line is 53.5 μ s. However, in order to reduce jittering at the screen edge, overscan is normally applied by the TV manufacturer and this reduces the visible video signal period to 48.15 μ s. The examples given below show how the number of characters per row and the character width may be obtained for the NTSC 525LPF/60 Hz TV standard using different OSD clock frequencies.

12.2.1 NTSC 525LPF/60 Hz; $f_{OSD} = 6$ MHz

- As $f_{OSD} = 6$ MHz; $T_{OSD} = 0.1666$ μ s
- The number of visible dots on one horizontal line is 290 (48.15 μ s/0.1666 μ s). However, as the starting position of the first character dot is approximately 45 dots after HSYNC, the actual visible number of dots per line is 245.

- Each character is composed of a 12 \times 18 dot matrix; therefore the maximum number of characters on one line is 20 (245/12).
- If a 19 inch TV screen is used, the width of a horizontal line is approximately 370 mm and this gives a character width of 18.5 mm.

12.2.2 NTSC 525LPF/60 Hz; $f_{OSD} = 10$ MHz

- As $f_{OSD} = 10$ MHz; $T_{OSD} = 0.1$ μ s
- The number of visible dots on one horizontal line is 481 (48.15 μ s/0.1 μ s). Allowing for the initial starting position of 45 dots, the actual number of visible dots per line is 436.
- Each character is composed of a 12 \times 18 dot matrix; therefore the maximum number of characters on one line is 36.
- If a 19 inch TV screen is used, the width of a horizontal line is approximately 370 mm and this gives a character width of 10.3 mm.

12.3 Maximum number of rows per frame

The number of rows per frame is a function of the number of active lines per display field and the number of vertical dots in the character matrix (which is 18). The number of rows per frame (N) is calculated as shown below.

$$N = \frac{\text{number of active lines per field}}{18}$$

The three examples shown below illustrate how the maximum number of rows per frame is obtained for each TV scanning standard.

12.3.1 NTSC 525LPF/60 Hz

The number of active lines per field for this standard is between 241.5 and 249H (see Fig.41). If the value of 241 is used then the maximum number of rows per frame is 13.

12.3.2 PAL 625LPF/50 Hz

The number of active lines per field for this standard is 280. Therefore, the maximum number of rows per frame is 15.

12.3.3 PAL 1250LPF/100 Hz

With this standard it is not necessary to divide HSYNC by two as both the horizontal and vertical frequency are doubled. The maximum number of rows per frame is 15.

Stand-alone OSD

PCA8515

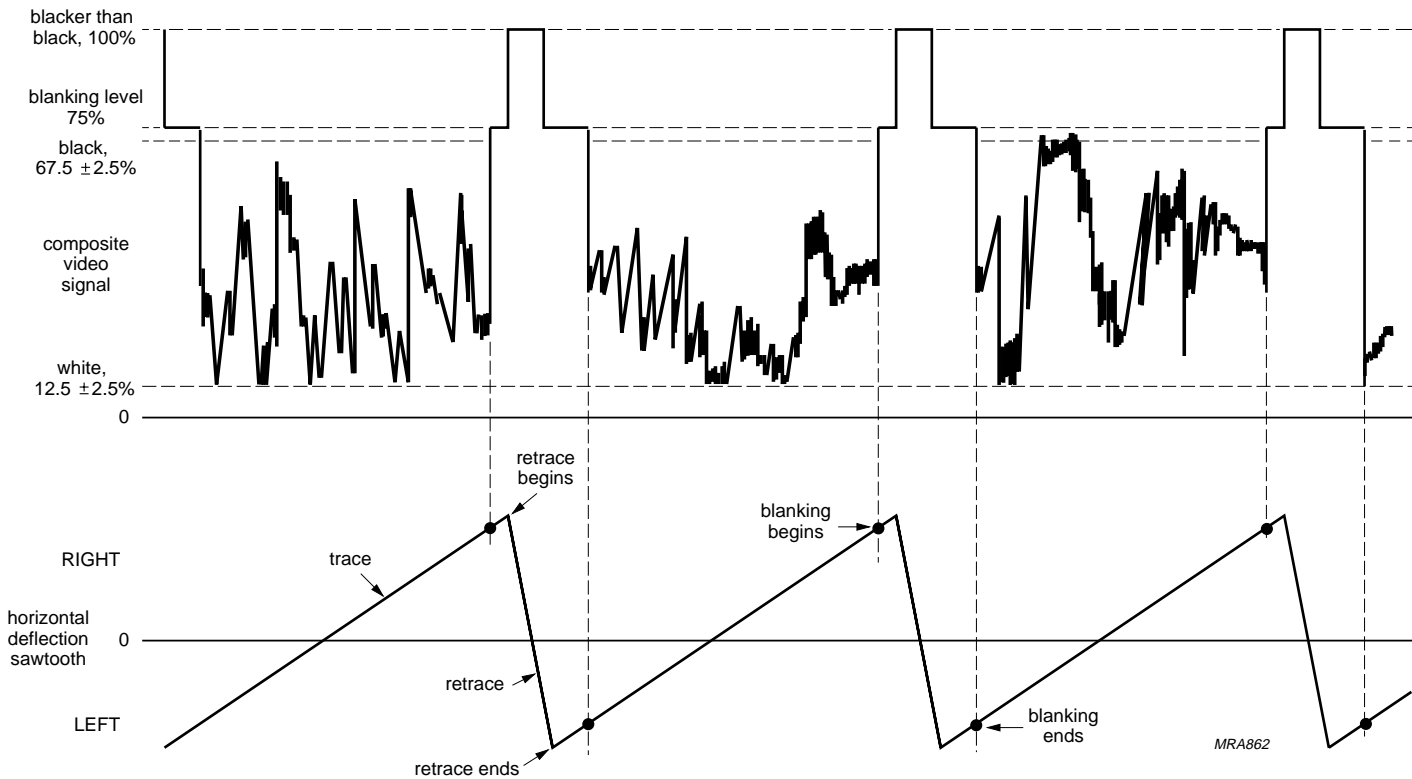


Fig.40 Composite video signal for three horizontal lines compared to three horizontal deflection sawteeth (NTSC 525LPF/60 Hz).

Stand-alone OSD

PCA8515

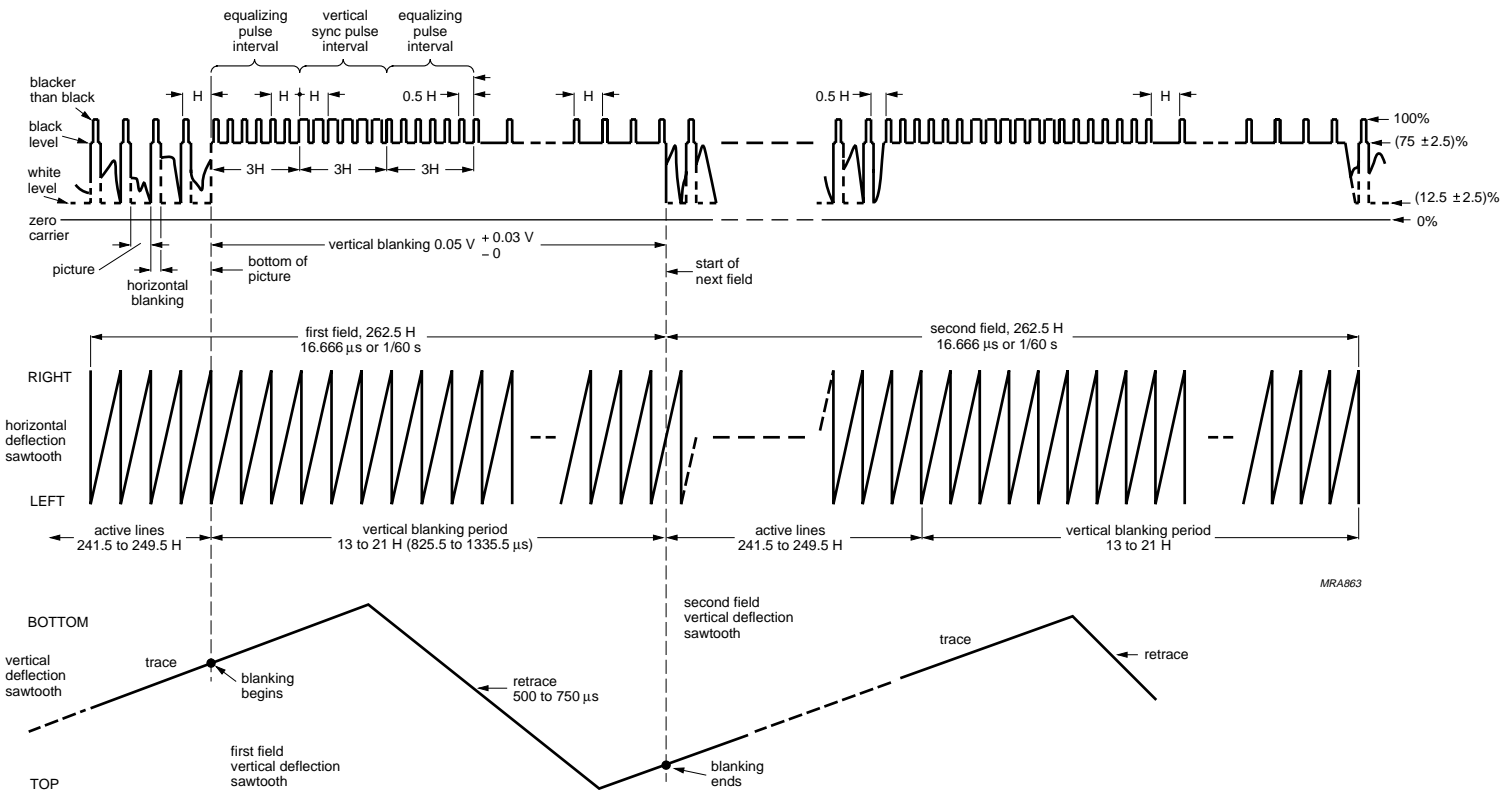


Fig.41 Vertical synchronization and blanking pulse intervals for one frame (NTSC 525LPF/60 Hz).

Stand-alone OSD

PCA8515

13 OUTPUT PORTS

The three output ports P00, P01 and P04 can be configured using one of three mask options. The three output mask options are specified below:

- Option 1: Standard output with switched pull-up current source. See Figs 42 and 45.
- Option 2: Open drain output. See Figs 43 and 46.
- Option 3: Push-pull output. See Figs 44 and 47.

The state of each output port after a Power-on-reset can also be selected using the mask options. All the available mask options for the PCA8515 are given in Section 13.1

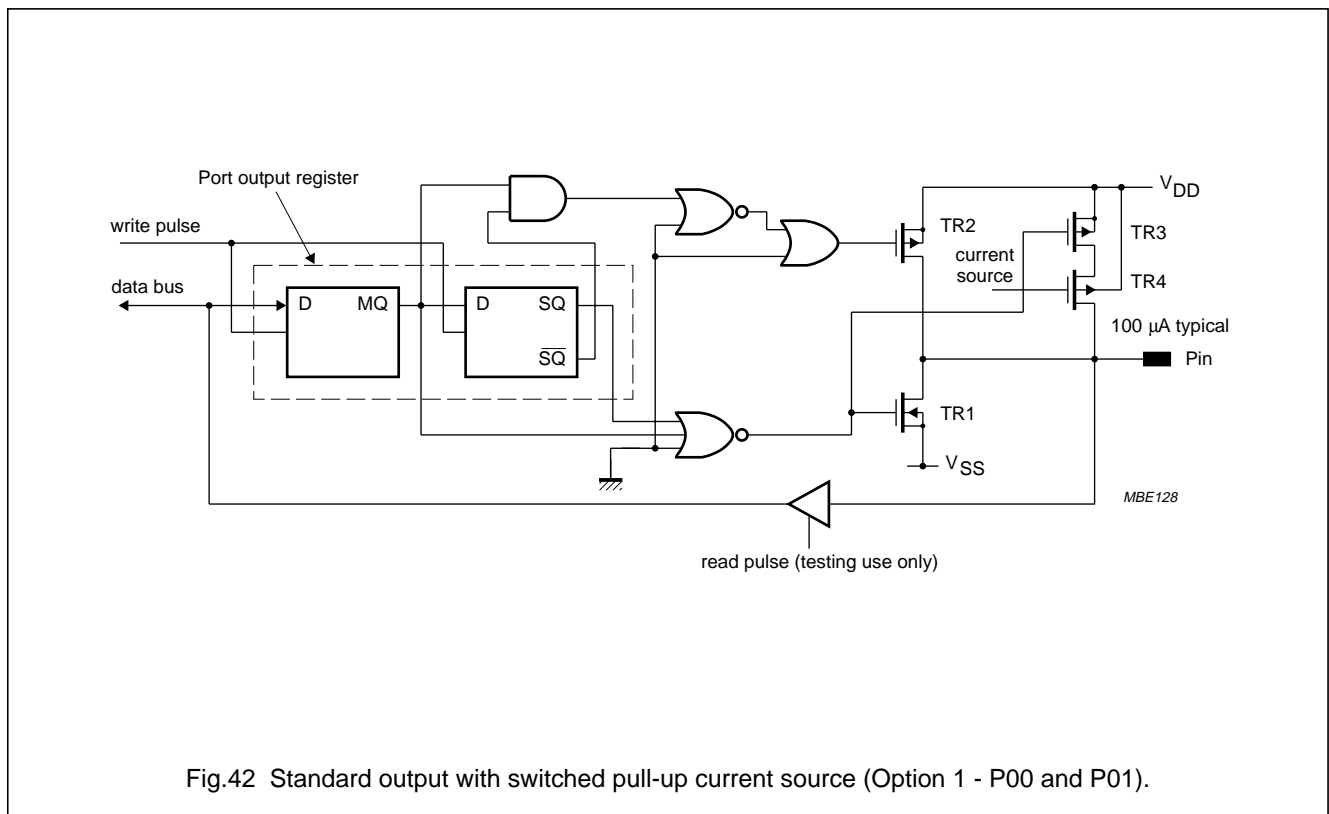


Fig.42 Standard output with switched pull-up current source (Option 1 - P00 and P01).

Stand-alone OSD

PCA8515

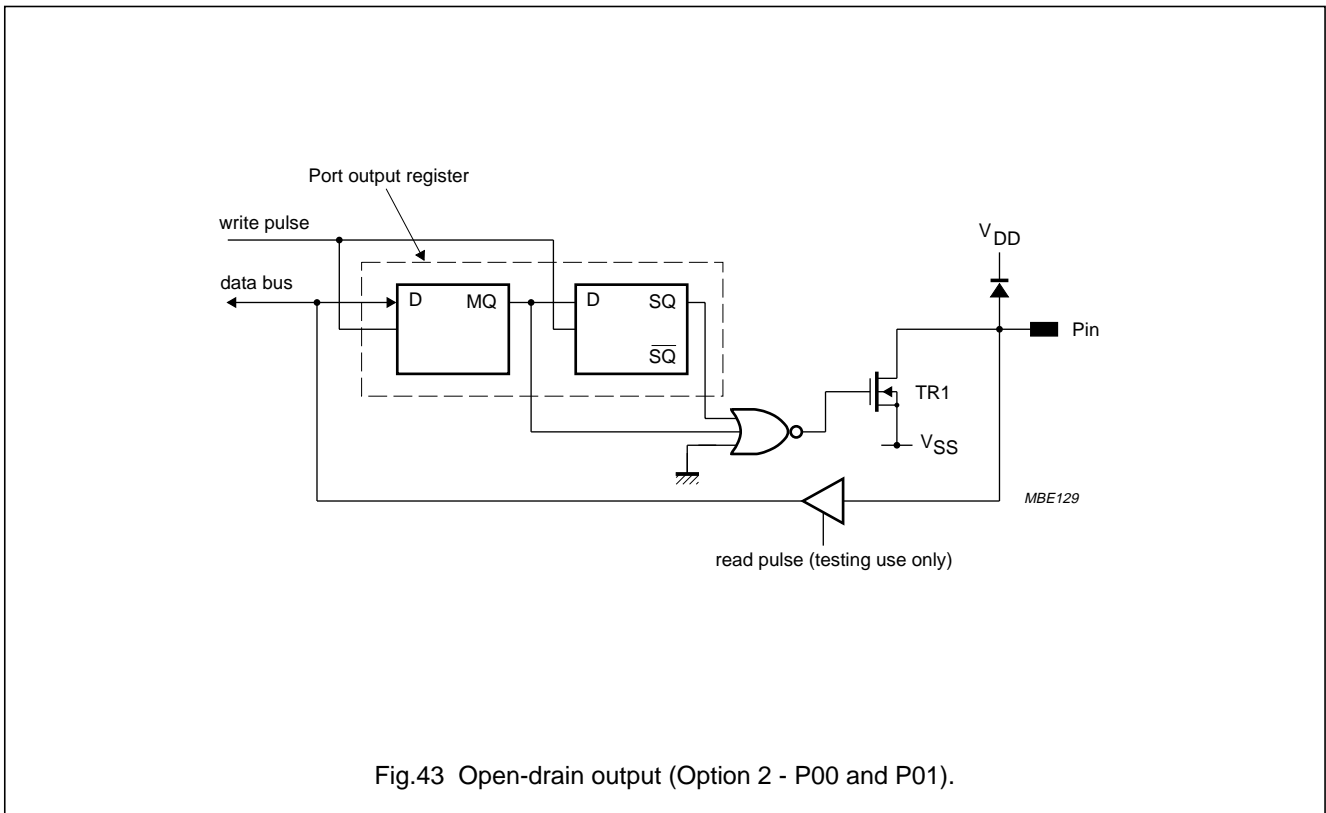


Fig.43 Open-drain output (Option 2 - P00 and P01).

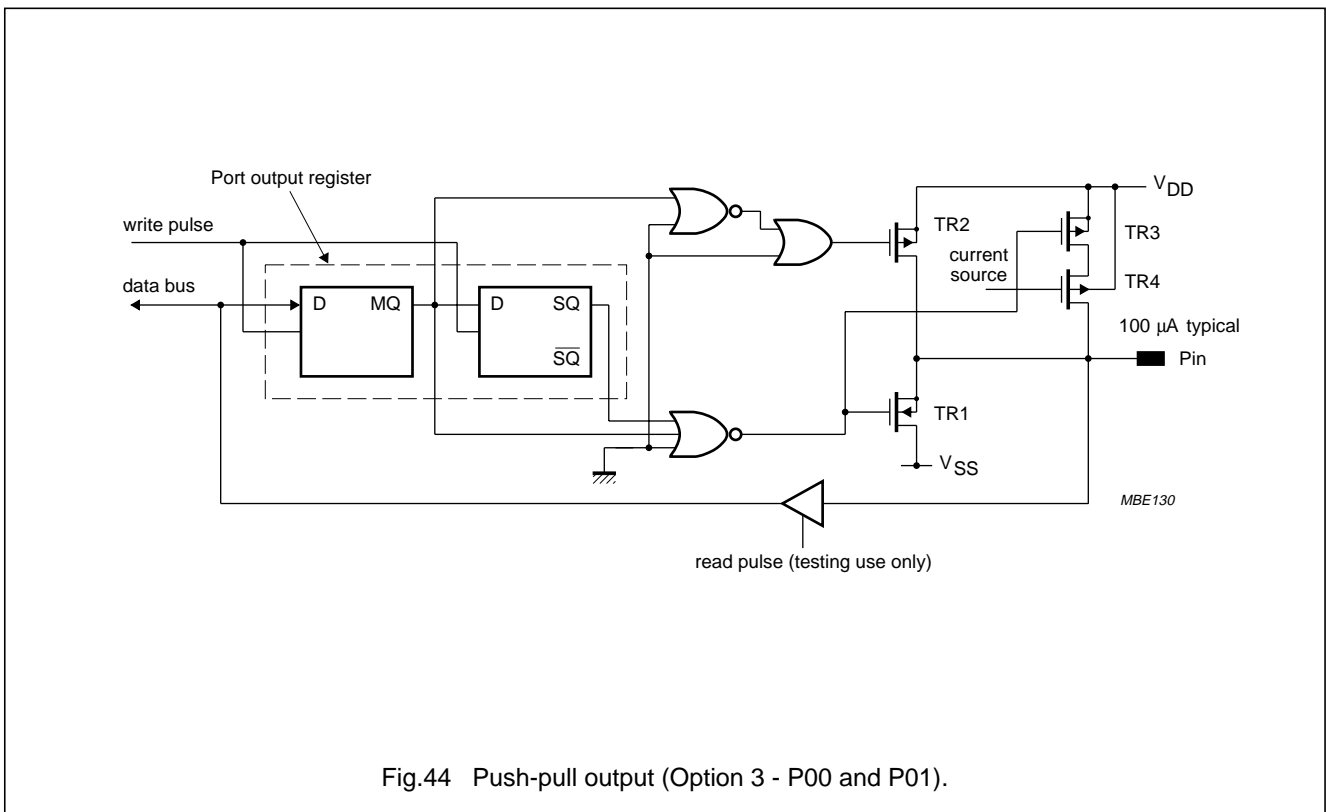


Fig.44 Push-pull output (Option 3 - P00 and P01).

Stand-alone OSD

PCA8515

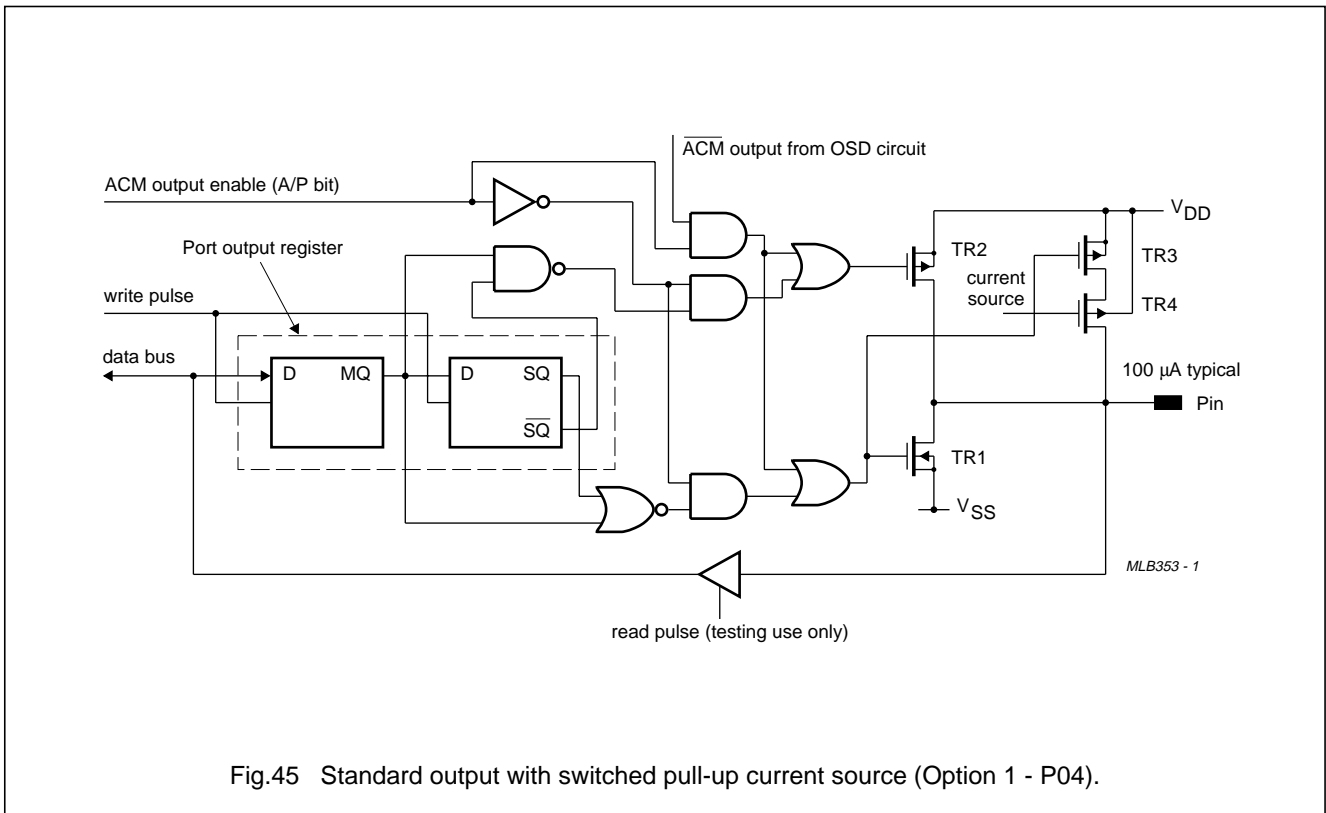


Fig.45 Standard output with switched pull-up current source (Option 1 - P04).

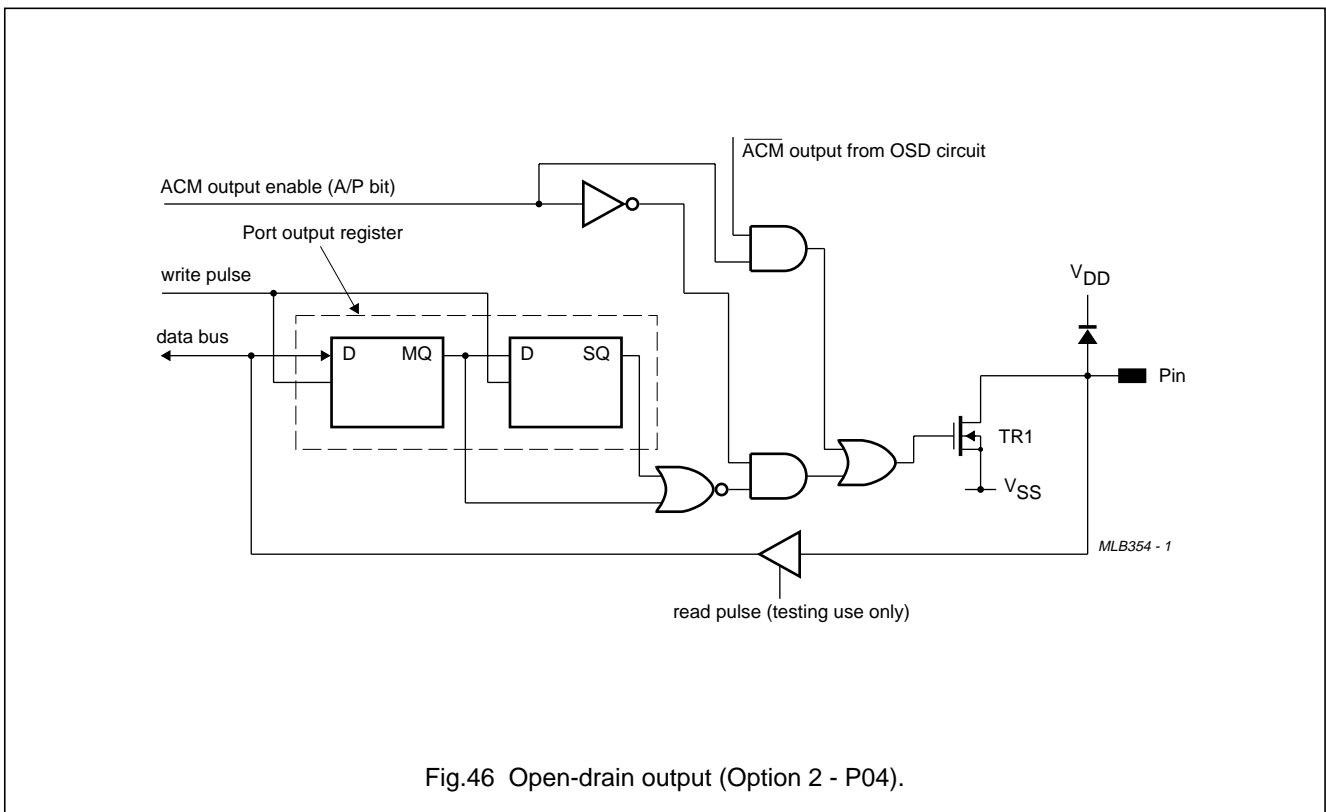
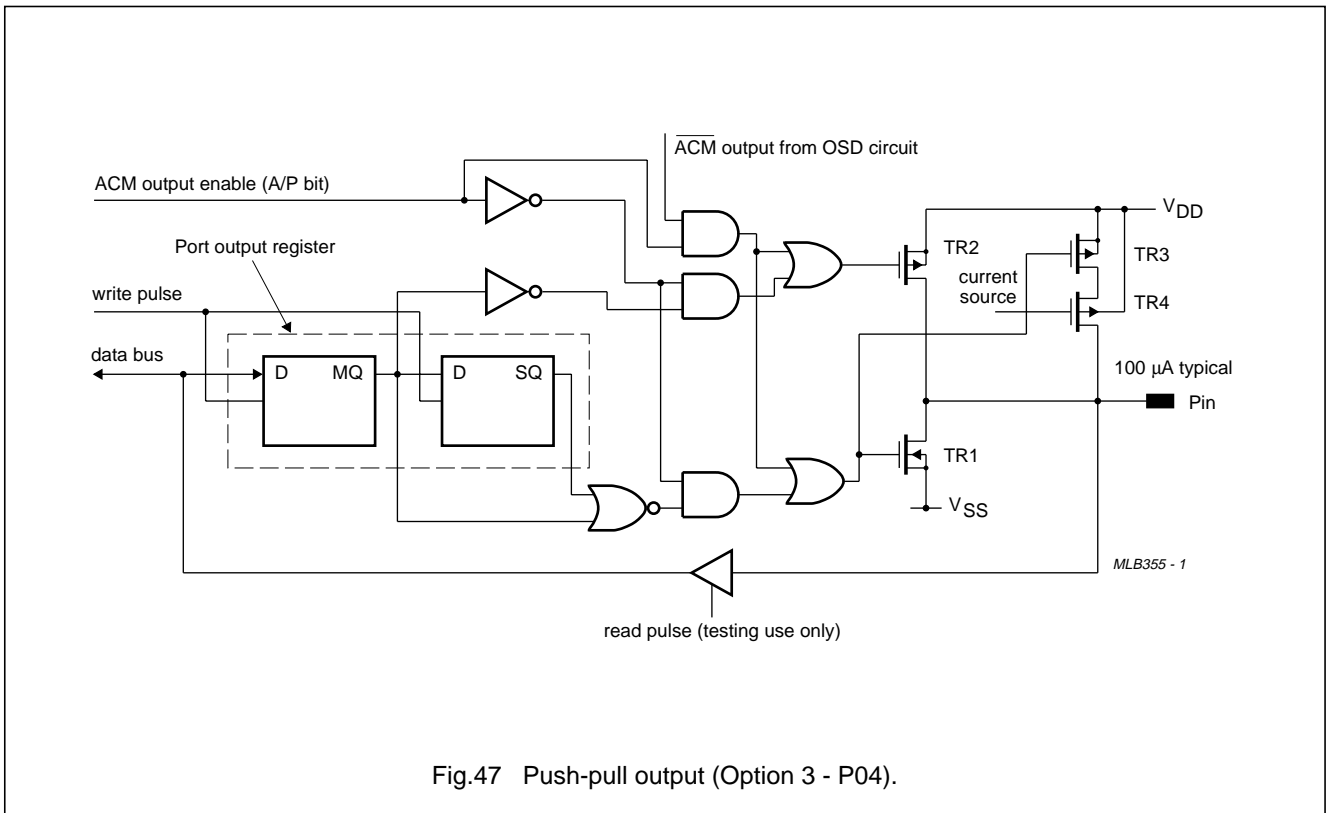


Fig.46 Open-drain output (Option 2 - P04).

Stand-alone OSD

PCA8515



Stand-alone OSD

PCA8515

13.1 Mask options

Tables 40 to 44 list the available mask options for the PCA8515. Table 43 is intended for customer use when ordering the device.

Table 40 Outport configuration options

OPTION	PORT
1, 2 or 3	P00
1, 2 or 3	P01
1, 2 or 3	P04

Table 41 Port state after Power-on-reset

OPTION	PORT
HIGH	P00
HIGH	P01
HIGH or LOW	P04

Table 42 Space Code options

OPTION	SHADOWING MODE
Transparent pattern	Available in Box shadowing mode only; see Fig.33.
Opaque pattern	Available in Box shadowing mode only; see Fig.32.

Table 44 System oscillator transconductance options

OPTION	TRANSCONDUCTANCE (mS)	f _{osc} - QUARTZ CRYSTAL (MHz)	f _{osc} - CERAMIC RESONATOR (MHz)
LOW	0.7	1 to 6	–
MEDIUM	1.6	4 to 12	1 to 6
HIGH	4.5	–	3 to 16

Table 43 Customer selected mask options

FEATURE	OPTION
Output port configurations	
P00	
P01	
P04	
Port state after Power-on-reset	
P00	
P01	
P04	
Oscillator tranconductance	
LOW	
MEDIUM	
HIGH	
Space Code pattern	
Transparent	
Opaque	

Stand-alone OSD

PCA8515

14 DEFAULT VALUES AFTER POWER-ON-RESET

The default values of registers after a Power-on-reset are specified in Table 45. All other settings must be initialized by the user after a Power-on-reset.

Table 45 Default values

REGISTER	BIT	STATE AFTER RESET	DESCRIPTION
User directly controllable registers			
Control Register 1	M1	0	Scanning mode selection bits. Conventional NTSC 525LPF/60 Hz and/or PAL 625LPF/50 Hz selected.
	M0	0	
	Bp	1	Polarity control bit; the output polarities of FB, ACM, R, G, B and I are active HIGH.
	EN	0	OSD enable/disable control bit; the OSD is disabled.
Control Register 2	Hp	0	HSYNC input polarity control bit; the input polarity is active LOW.
	Vp	0	VSYNC input polarity control bit; the input polarity is active LOW.
	S1	0	Display mode selection bits; the North West shadowing mode is selected.
	S0	1	
Control Register 3	BF1	0	Blinking frequency control bits. The blinking frequency is set to $f_{VSYNC}/16$ Hz.
	BF0	0	
	BR1	0	Active ratio of blinking frequency control bits. The active ratio is set to 3 : 1.
	BR0	0	
Control Register 4	A/P	0	Port control bit. Pin 2 (P04/ACM/VOB2) is selected as an output port pin.
Control Register 5	R	0	Background colour selection bits in Frame shadowing mode; the default colour is BLUE.
	G	0	
	B	1	
	I	0	
-	BS1	0	Command Bank selection bits. Command Bank 00 is selected.
	BS0	0	
User indirectly controllable registers			
ACM	ACM	0	The ACM output is LOW unless changed by the Space Code.
Background colour	B	1	The Background colour selected is BLUE unless changed by the Space Code.
	R	0	
	G	0	
	I	0	
Character size	T4	0	The default character size is 1V/1H. A different value can be selected by using the Carriage Return Code.
	T3	0	
End of display	T0	0	Will continue to display next character (if the OSD clock is enabled).

Stand-alone OSD

PCA8515

15 LIMITING VALUES

In accordance with the Absolute Maximum Rating System (IEC 134)

SYMBOL	PARAMETER	MIN.	MAX.	UNIT
V_{DD}	supply voltage	-0.5	+7.0	V
V_I	all input voltages	-0.5	$V_{DD} + 0.5$	V
I_{OH}	maximum source current for all port lines	-	-7.0	mA
I_{OL}	maximum sink current for all port lines	-	-15.0	mA
P_{tot}	total power dissipation	-	50	mW
T_{stg}	storage temperature	-55	+125	°C
T_{amb}	operating ambient temperature	-20	+70	°C

Stand-alone OSD

PCA8515

16 DC CHARACTERISTICS

$V_{DD} = 5\text{ V} \pm 10\%$; $V_{SS} = 0\text{ V}$; $T_{amb} = -20\text{ to }+70\text{ }^{\circ}\text{C}$. All voltages with respect to V_{SS} unless otherwise specified.

SYMBOL	PARAMETER	CONDITIONS	MIN.	TYP.	MAX.	UNIT
V_{DD}	operating supply voltage		4.5	5.0	5.5	V
I_{DD}	operating supply current	$V_{DD} = 5\text{ V}$; $f_{xtal} = 3\text{ MHz}$; $f_{OSD} = 10\text{ MHz}$	1	2	5	mA
		$V_{DD} = 5\text{ V}$; $f_{xtal} = 3\text{ MHz}$; $f_{OSD} = \text{Stop}$	0.6	0.7	0.8	mA
RESET, TEST1, TEST2, HSYNC and E inputs						
V_{IL}	LOW level input voltage		0	–	$0.3V_{DD}$	V
V_{IH}	HIGH level input voltage		$0.7V_{DD}$	–	V_{DD}	V
I_{LI}	input leakage current	$V_{SS} < V_I < V_{DD}$	± 0.01	± 0.20	± 10	μA
P00, P01, VSYNC and $\overline{\text{HIO}}/\text{I}^2\text{C}$ inputs						
V_{IL}	LOW level input voltage		0	–	$0.3V_{DD}$	V
V_{IH}	HIGH level input voltage		$0.7V_{DD}$	–	V_{DD}	V
I_{LI}	input leakage current	$V_{SS} < V_I < V_{DD}$	± 0.10	± 0.20	± 190	μA
P00, P01, VSYNC and $\overline{\text{HIO}}/\text{I}^2\text{C}$ outputs						
I_{OL}	LOW level output sink current	$V_{DD} = 5\text{ V}$; $V_O = 0.4\text{ V}$	5.0	12.0	–	mA
I_{OH1}	HIGH level pull-up output source current	$V_{DD} = 5\text{ V}$; $V_O = 0.7V_{DD}$	–40	–100	–	μA
		$V_{DD} = 5\text{ V}$; $V_O = V_{SS}$	–	–140	–400	μA
I_{OH2}	HIGH level push-pull output source current	$V_{DD} = 5\text{ V}$; $V_O = V_{DD} - 0.4\text{ V}$	–3.0	–7.0	–	mA
SDA/SIN and SCK/SCLK inputs						
V_{IL}	LOW level input voltage		0	–	$0.3V_{DD}$	V
V_{IH}	HIGH level input voltage		$0.7V_{DD}$	–	V_{DD}	V
I_{LI}	input leakage current	$V_{SS} < V_I < V_{DD}$	± 0.01	± 0.20	± 10	μA
SDA/SIN and SCK/SCLK outputs						
I_{OL}	LOW level open drain sink current	$V_{DD} = 5\text{ V}$; $V_O = 0.4\text{ V}$	3.0	–	–	V
R, G, B, I, FB, P04/ACM outputs						
I_{OL}	LOW level push-pull output sink current	$V_{DD} = 5\text{ V}$; $V_O = 0.4\text{ V}$	3.2	5.5	–	mA
I_{OH1}	HIGH level pull-up output source current	$V_{DD} = 5\text{ V}$; $V_O = 0.7V_{DD}$	–40	–100	–	μA
		$V_{DD} = 5\text{ V}$; $V_O = V_{SS}$	–	–140	–400	μA
I_{OH2}	HIGH level push-pull output source current	$V_{DD} = 5\text{ V}$; $V_O = V_{DD} - 0.4\text{ V}$	–1.6	–2.4	–	mA

Stand-alone OSD

PCA8515

17 AC CHARACTERISTICS

$V_{DD} = 5\text{ V} \pm 10\%$, $V_{SS} = 0\text{ V}$.

SYMBOL	PARAMETER	CONDITIONS	MIN.	TYP.	MAX.	UNIT
f_{xtal}	crystal oscillator frequency		0.5	3.0	6.0	MHz
f_{OSD}	OSD oscillator frequency	1V/1H scanning mode	4.0	7.0	12.0	MHz
		2V/2H scanning mode	4.0	6.0	12.0	MHz
C_{OSD}	external capacitance at pin C		0.4	–	4.0	μF
R_{OSD}	external resistance at pin C		5.0	–	15.0	$\text{k}\Omega$

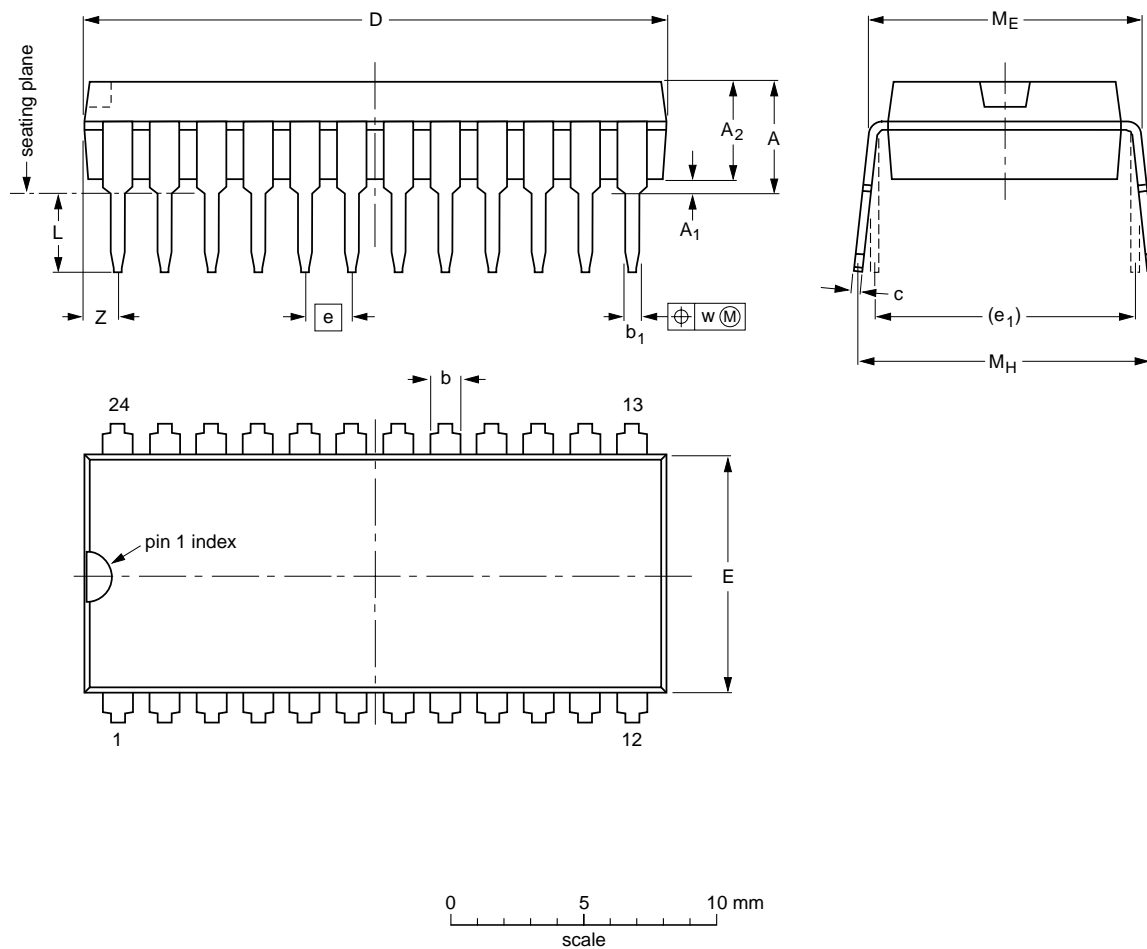
Stand-alone OSD

PCA8515

18 PACKAGE OUTLINES

SDIP24: plastic shrink dual in-line package; 24 leads (400 mil)

SOT234-1



DIMENSIONS (mm are the original dimensions)

UNIT	A max.	A ₁ min.	A ₂ max.	b	b ₁	c	D ⁽¹⁾	E ⁽¹⁾	e	e ₁	L	M _E	M _H	w	Z ⁽¹⁾ max.
mm	4.7	0.51	3.8	1.3 0.8	0.53 0.40	0.32 0.23	22.3 21.4	9.1 8.7	1.778	10.16	3.2 2.8	10.7 10.2	12.2 10.5	0.18	1.6

Note

1. Plastic or metal protrusions of 0.25 mm maximum per side are not included.

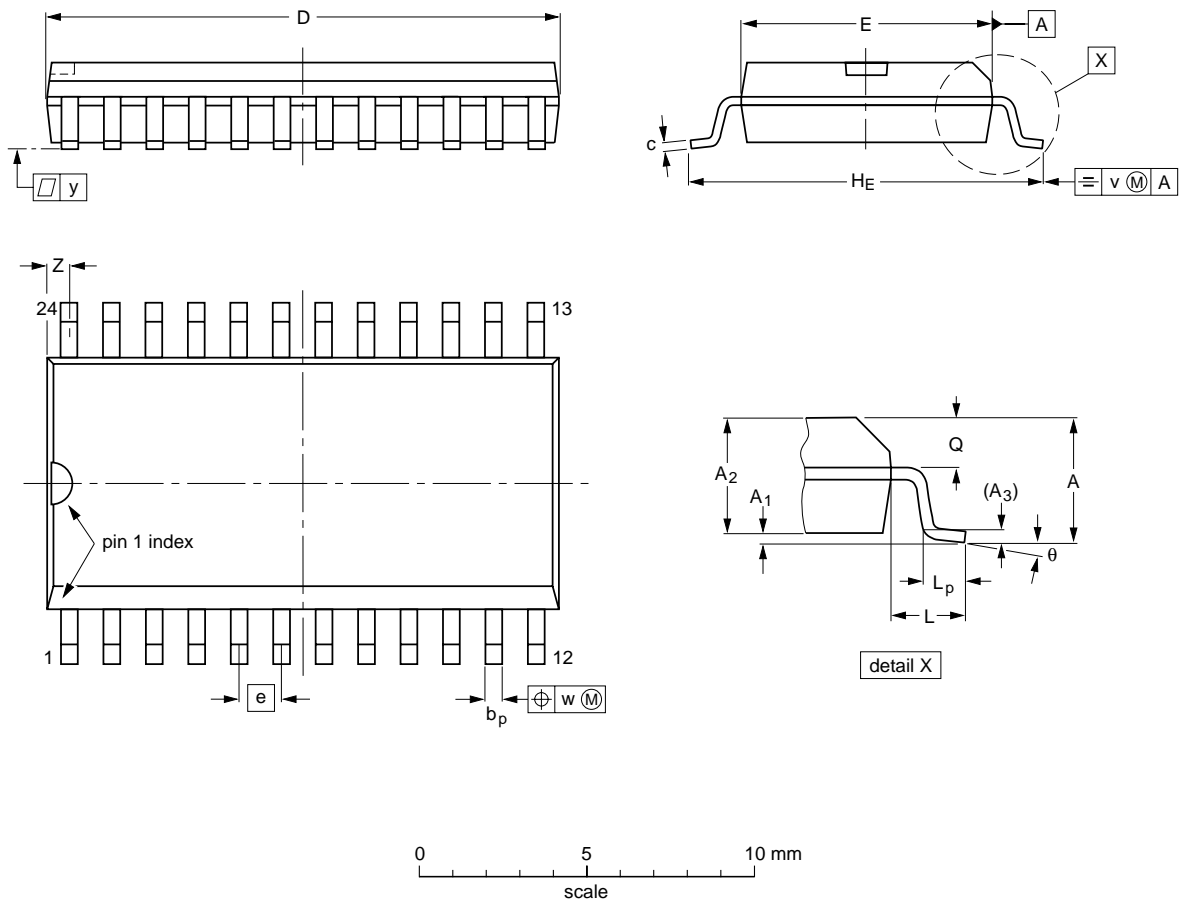
OUTLINE VERSION	REFERENCES				EUROPEAN PROJECTION	ISSUE DATE
	IEC	JEDEC	EIAJ			
SOT234-1						92-11-17 95-02-04

Stand-alone OSD

PCA8515

SO24: plastic small outline package; 24 leads; body width 7.5 mm

SOT137-1



DIMENSIONS (inch dimensions are derived from the original mm dimensions)

UNIT	A max.	A ₁	A ₂	A ₃	b _p	c	D ⁽¹⁾	E ⁽¹⁾	e	H _E	L	L _p	Q	v	w	y	Z ⁽¹⁾	θ
mm	2.65	0.30 0.10	2.45 2.25	0.25	0.49 0.36	0.32 0.23	15.6 15.2	7.6 7.4	1.27	10.65 10.00	1.4	1.1 0.4	1.1 1.0	0.25	0.25	0.1	0.9 0.4	8° 0°
inches	0.10	0.012 0.004	0.096 0.089	0.01	0.019 0.014	0.013 0.009	0.61 0.60	0.30 0.29	0.050	0.419 0.394	0.055	0.043 0.016	0.043 0.039	0.01	0.01	0.004	0.035 0.016	

Note

1. Plastic or metal protrusions of 0.15 mm maximum per side are not included.

OUTLINE VERSION	REFERENCES			EUROPEAN PROJECTION	ISSUE DATE
	IEC	JEDEC	EIAJ		
SOT137-1	075E05	MS-013AD			95-01-24 97-05-22

Stand-alone OSD

PCA8515

19 SOLDERING

19.1 Introduction

There is no soldering method that is ideal for all IC packages. Wave soldering is often preferred when through-hole and surface mounted components are mixed on one printed-circuit board. However, wave soldering is not always suitable for surface mounted ICs, or for printed-circuits with high population densities. In these situations reflow soldering is often used.

This text gives a very brief insight to a complex technology. A more in-depth account of soldering ICs can be found in our "IC Package Databook" (order code 9398 652 90011).

19.2 DIP

19.2.1 SOLDERING BY DIPPING OR BY WAVE

The maximum permissible temperature of the solder is 260 °C; solder at this temperature must not be in contact with the joint for more than 5 seconds. The total contact time of successive solder waves must not exceed 5 seconds.

The device may be mounted up to the seating plane, but the temperature of the plastic body must not exceed the specified maximum storage temperature ($T_{stg\ max}$). If the printed-circuit board has been pre-heated, forced cooling may be necessary immediately after soldering to keep the temperature within the permissible limit.

19.2.2 REPAIRING SOLDERED JOINTS

Apply a low voltage soldering iron (less than 24 V) to the lead(s) of the package, below the seating plane or not more than 2 mm above it. If the temperature of the soldering iron bit is less than 300 °C it may remain in contact for up to 10 seconds. If the bit temperature is between 300 and 400 °C, contact may be up to 5 seconds.

19.3 SO

19.3.1 REFLOW SOLDERING

Reflow soldering techniques are suitable for all SO packages.

Reflow soldering requires solder paste (a suspension of fine solder particles, flux and binding agent) to be applied to the printed-circuit board by screen printing, stencilling or pressure-syringe dispensing before package placement.

Several techniques exist for reflowing; for example, thermal conduction by heated belt. Dwell times vary between 50 and 300 seconds depending on heating method. Typical reflow temperatures range from 215 to 250 °C.

Preheating is necessary to dry the paste and evaporate the binding agent. Preheating duration: 45 minutes at 45 °C.

19.3.2 WAVE SOLDERING

Wave soldering techniques can be used for all SO packages if the following conditions are observed:

- A double-wave (a turbulent wave with high upward pressure followed by a smooth laminar wave) soldering technique should be used.
- The longitudinal axis of the package footprint must be parallel to the solder flow.
- The package footprint must incorporate solder thieves at the downstream end.

During placement and before soldering, the package must be fixed with a droplet of adhesive. The adhesive can be applied by screen printing, pin transfer or syringe dispensing. The package can be soldered after the adhesive is cured.

Maximum permissible solder temperature is 260 °C, and maximum duration of package immersion in solder is 10 seconds, if cooled to less than 150 °C within 6 seconds. Typical dwell time is 4 seconds at 250 °C.

A mildly-activated flux will eliminate the need for removal of corrosive residues in most applications.

19.3.3 REPAIRING SOLDERED JOINTS

Fix the component by first soldering two diagonally-opposite end leads. Use only a low voltage soldering iron (less than 24 V) applied to the flat part of the lead. Contact time must be limited to 10 seconds at up to 300 °C. When using a dedicated tool, all other leads can be soldered in one operation within 2 to 5 seconds between 270 and 320 °C.

Stand-alone OSD

PCA8515

20 DEFINITIONS

Data sheet status	
Objective specification	This data sheet contains target or goal specifications for product development.
Preliminary specification	This data sheet contains preliminary data; supplementary data may be published later.
Product specification	This data sheet contains final product specifications.
Limiting values	
Limiting values given are in accordance with the Absolute Maximum Rating System (IEC 134). Stress above one or more of the limiting values may cause permanent damage to the device. These are stress ratings only and operation of the device at these or at any other conditions above those given in the Characteristics sections of the specification is not implied. Exposure to limiting values for extended periods may affect device reliability.	
Application information	
Where application information is given, it is advisory and does not form part of the specification.	

21 LIFE SUPPORT APPLICATIONS

These products are not designed for use in life support appliances, devices, or systems where malfunction of these products can reasonably be expected to result in personal injury. Philips customers using or selling these products for use in such applications do so at their own risk and agree to fully indemnify Philips for any damages resulting from such improper use or sale.

22 PURCHASE OF PHILIPS I²C COMPONENTS

Purchase of Philips I²C components conveys a license under the Philips' I²C patent to use the components in the I²C system provided the system conforms to the I²C specification defined by Philips. This specification can be ordered using the code 9398 393 40011.

Stand-alone OSD

PCA8515

NOTES

Philips Semiconductors – a worldwide company

Argentina: IEROD, Av. Juramento 1992 - 14.b, (1428)
BUENOS AIRES, Tel. (541)786 7633, Fax. (541)786 9367

Australia: 34 Waterloo Road, NORTH RYDE, NSW 2113,
Tel. (02)805 4455, Fax. (02)805 4466

Austria: Triester Str. 64, A-1101 WIEN, P.O. Box 213,
Tel. (01)60 101-1236, Fax. (01)60 101-1211

Belgium: Postbus 90050, 5600 PB EINDHOVEN, The Netherlands,
Tel. (31)40 783 749, Fax. (31)40 788 399

Brazil: Rua do Rocio 220 - 5th floor, Suite 51,
CEP: 04552-903-SÃO PAULO-SP, Brazil.
P.O. Box 7383 (01064-970).

Tel. (011)821-2333, Fax. (011)829-1849

Canada: PHILIPS SEMICONDUCTORS/COMPONENTS:
Tel. (800) 234-7381, Fax. (708) 296-8556

Chile: Av. Santa Maria 0760, SANTIAGO,
Tel. (02)773 816, Fax. (02)777 6730

Colombia: IPRELENZO LTDA, Carrera 21 No. 56-17,
77621 BOGOTA, Tel. (571)249 7624/(571)217 4609,
Fax. (571)217 4549

Denmark: Prags Boulevard 80, PB 1919, DK-2300 COPENHAGEN S,
Tel. (032)88 2636, Fax. (031)57 1949

Finland: Sinikalliontie 3, FIN-02630 ESPOO,
Tel. (9)0-50261, Fax. (9)0-520971

France: 4 Rue du Port-aux-Vins, BP317,
92156 SURESNES Cedex,
Tel. (01)4099 6161, Fax. (01)4099 6427

Germany: P.O. Box 10 63 23, 20043 HAMBURG,
Tel. (040)3296-0, Fax. (040)3296 213.

Greece: No. 15, 25th March Street, GR 17778 TAVROS,
Tel. (01)4894 339/4894 911, Fax. (01)4814 240

Hong Kong: PHILIPS HONG KONG Ltd., 6/F Philips Ind. Bldg.,
24-28 Kung Yip St., KWAI CHUNG, N.T.,
Tel. (852)424 5121, Fax. (852)428 6729

India: Philips INDIA Ltd, Shivsagar Estate, A Block,
Dr. Annie Besant Rd. Worli, Bombay 400 018
Tel. (022)4938 541, Fax. (022)4938 722

Indonesia: Philips House, Jalan H.R. Rasuna Said Kav. 3-4,
P.O. Box 4252, JAKARTA 12950,
Tel. (021)5201 122, Fax. (021)5205 189

Ireland: Newstead, Clonskeagh, DUBLIN 14,
Tel. (01)640 000, Fax. (01)640 200

Italy: PHILIPS SEMICONDUCTORS S.r.l.,
Piazza IV Novembre 3, 20124 MILANO,
Tel. (0039)2 6752 2531, Fax. (0039)2 6752 2557

Japan: Philips Bldg 13-37, Kohnan2-chome, Minato-ku, TOKYO 108,
Tel. (03)3740 5028, Fax. (03)3740 0580

Korea: (Republic of) Philips House, 260-199 Itaewon-dong,
Yongsan-ku, SEOUL, Tel. (02)794-5011, Fax. (02)798-8022

Malaysia: No. 76 Jalan Universiti, 46200 PETALING JAYA,
SELANGOR, Tel. (03)750 5214, Fax. (03)757 4880

Mexico: 5900 Gateway East, Suite 200, EL PASO, TX 79905,
Tel. 9-5(800)234-7381, Fax. (708)296-8556

Netherlands: Postbus 90050, 5600 PB EINDHOVEN, Bldg. VB
Tel. (040)783749, Fax. (040)788399

New Zealand: 2 Wagener Place, C.P.O. Box 1041, AUCKLAND,
Tel. (09)849-4160, Fax. (09)849-7811

Norway: Box 1, Manglerud 0612, OSLO,
Tel. (022)74 8000, Fax. (022)74 8341

Pakistan: Philips Electrical Industries of Pakistan Ltd.,
Exchange Bldg. ST-2/A, Block 9, KDA Scheme 5, Clifton,
KARACHI 75600, Tel. (021)587 4641-49,
Fax. (021)577035/5874546.

Philippines: PHILIPS SEMICONDUCTORS PHILIPPINES Inc,
196 Valero St. Salcedo Village, P.O. Box 2108 MCC, MAKATI,
Metro MANILA, Tel. (02)810 0161, Fax. (02)817 3474

Portugal: PHILIPS PORTUGUESA, S.A.,
Rua dr. António Loureiro Borges 5, Arquiparque - Miraflores,
Apartado 300, 2795 LINDA-A-VELHA,
Tel. (01)4163160/4163333, Fax. (01)4163174/4163366.

Singapore: Lorong 1, Toa Payoh, SINGAPORE 1231,
Tel. (65)350 2000, Fax. (65)251 6500

South Africa: S.A. PHILIPS Pty Ltd.,
195-215 Main Road Martindale, 2092 JOHANNESBURG,
P.O. Box 7430 Johannesburg 2000,
Tel. (011)470-5911, Fax. (011)470-5494.

Spain: Balmes 22, 08007 BARCELONA,
Tel. (03)301 6312, Fax. (03)301 42 43

Sweden: Kottbygatan 7, Akalla. S-164 85 STOCKHOLM,
Tel. (0)8-632 2000, Fax. (0)8-632 2745

Switzerland: Allmendstrasse 140, CH-8027 ZÜRICH,
Tel. (01)488 2211, Fax. (01)481 77 30

Taiwan: PHILIPS TAIWAN Ltd., 23-30F, 66, Chung Hsiao West
Road, Sec. 1, Taipei, Taiwan ROC, P.O. Box 22978,
TAIPEI 100, Tel. (02)388 7666, Fax. (02)382 4382.

Thailand: PHILIPS ELECTRONICS (THAILAND) Ltd.,
209/2 Sanpavuth-Bangna Road Prakanong,
Bangkok 10260, THAILAND,
Tel. (662)398-0141, Fax. (662)398-3319.

Turkey: Talatpasa Cad. No. 5, 80640 GÜLTEPE/ISTANBUL,
Tel. (0212)279 2770, Fax. (0212)269 3094

United Kingdom: Philips Semiconductors LTD.,
276 Bath Road, Hayes, MIDDLESEX UB3 5BX,
Tel. (081)730-5000, Fax. (081)754-8421

United States: 811 East Arques Avenue, SUNNYVALE,
CA 94088-3409, Tel. (800)234-7381, Fax. (708)296-8556

Uruguay: Coronel Mora 433, MONTEVIDEO,
Tel. (02)70-4044, Fax. (02)92 0601

For all other countries apply to: Philips Semiconductors,
International Marketing and Sales, Building BE-p,
P.O. Box 218, 5600 MD, EINDHOVEN, The Netherlands,
Telex 35000 phtcnl, Fax. +31-40-724825

SCD36 © Philips Electronics N.V. 1994

All rights are reserved. Reproduction in whole or in part is prohibited without the prior written consent of the copyright owner.

The information presented in this document does not form part of any quotation or contract, is believed to be accurate and reliable and may be changed without notice. No liability will be accepted by the publisher for any consequence of its use. Publication thereof does not convey nor imply any license under patent- or other industrial or intellectual property rights.

Printed in The Netherlands

453061/1500/01/pp64
Document order number:

Date of release: 1995 Jan 19
9397 745 90011

Philips Semiconductors



PHILIPS